

Date: _____

Type: _____

Project: _____

ZELL LIGHT COLUMN

Funky laser cut design compliments this 4-inch slim round column giving it a modern look

Construction: Fixture housing constructed from 6061 aluminum alloy. Weatherproof silicon gasket seal for all weather protection. Stainless steel external hardware for corrosion resistance.

Mounting: Aluminum anchoring base mounts to 3 flush-mounted anchor bolts. Also available in wall mount version (contact Factory).

Lens: Opal lens

Lamp: High power LEDs with 50,000 hrs. rated lamp life
L70% lumen maintenance
3000K, 3500K, 4000K, 5000K color temperature
CRI 80

Light distribution: Type V

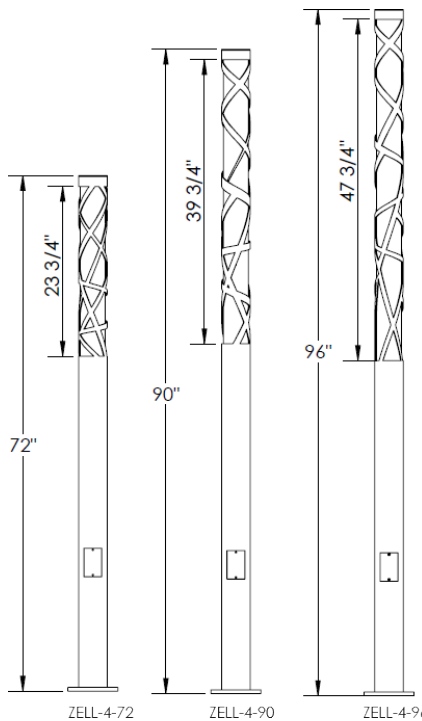
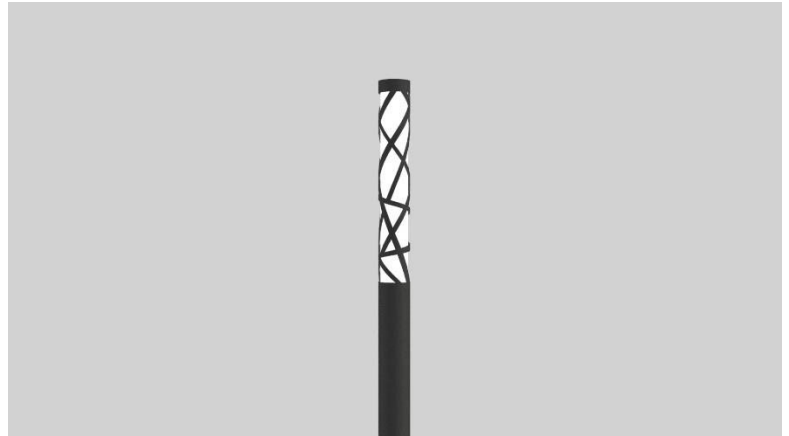
Driver: 60Hz, 120-277V/ 347V electronic LED driver, thermally protected with low THD. 2kV line to line surge protection and 2.5kV ring wave with 90°C maximum case hot spot temperature. Operating temperature ranging between -10 °C to 50 °C .

Options: 0-10V Dimming, 5KV/10KV/15KV surge protector, single fuse, custom size & laser cut design (contact Factory)

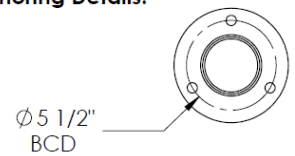
Finish: Black, White, Silver Gray, Bronze
(Custom color available upon request)

Listing: Complies with CSA & UL for outdoor location.

Warranty: 5-year limited warranty

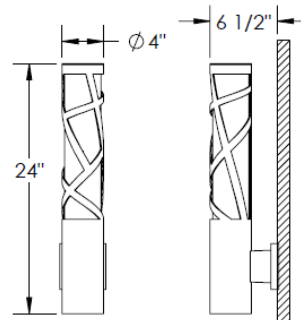


Anchoring Details:



Anchorbolt Size: 1/2" X 12" X 1-3/8"

- Hot dipped Galvanized anchor bolts
- Galvanized steel hex nuts
- Galvanized steel flat washers



CONTACT FACTORY FOR WALL MOUNT VERSION



--	--	--	--	--	--	--	--	--	--

Name	Height (inches)	Light Engine	Color Temperature	Electrical	Mounting	Lens	Light Pattern	Options	Finish	
ZELL	72	24 W (max)	3000K	UNV	ABT	OPL	TY5	SF	SP5	BL
	90	40 W (max)	3500K	HLV				TP/TS	SP10	BZ
	96	48 W (max)	4000K					DM	SP15	WH
			5000K							SG
										CC
Contact factory for custom size & wall mount version					Also available in wall mount version					

Notes:

- 3000K – 156 Source lm/w
- 3500K – 159 Source lm/w
- 4000K – 164 Source lm/w
- 5000K – 166 Source lm/w
- UNV – Universal voltage (120V - 277V)
- HLV – High Low voltage (347V - 480V)
- ABT – Anchors, bolts, template
- OPL – Opal lens
- TY5 – Type V light distribution
- TP/TS – Tamperproof hardware
- DM – 0-10V dimming
- SP5 – Surge protector up to 5 KV
- SP10 – Surge protector up to 10 KV
- SP15 – Surge protector up to 15 KV
- BL – Minitex black
- BZ – Minitex bronze
- WH – Minitex white
- SG – Minitex silver gray
- CC – Custom color (Confirm RAL No. prior to production)