

Date: _____

Type: _____

Project: _____

ZAC INTERIOR WALL MOUNT

An interior wall mount made of fabricated aluminum housing in 3 different sizes with silicone-sealed concave lens. The design on the middle bar, lens colors & finishes are all customizable.



Name	Lamping			Lumens*	Color Temp	Electrical		Mounting	
ZAC	18	18"	20W LED	3520	5000K	UNV	120-277V	WM	Wall mounted
	24	24"	30W LED	5280	4000K	HLV	347-480V		
	30	30"	40W LED	7040	3500K				
					3000K				

Contact for other wattages & outputs

Lens		Light Distribution		Options		Finishes	
OAL	Opal Acrylic Lens (Std)	FT	Forward throw	DM	0-10V Dimming	BL	Black
				EM	Emergency battery	WH	White
				RB	Remote driver	SG	Silver Grey
				RGBW	Programmable colored LED	BZ	Bronze
				PD	Pattern design, middle	CC	Custom Color

Contact for other lens colors [See finishes info on website](#)

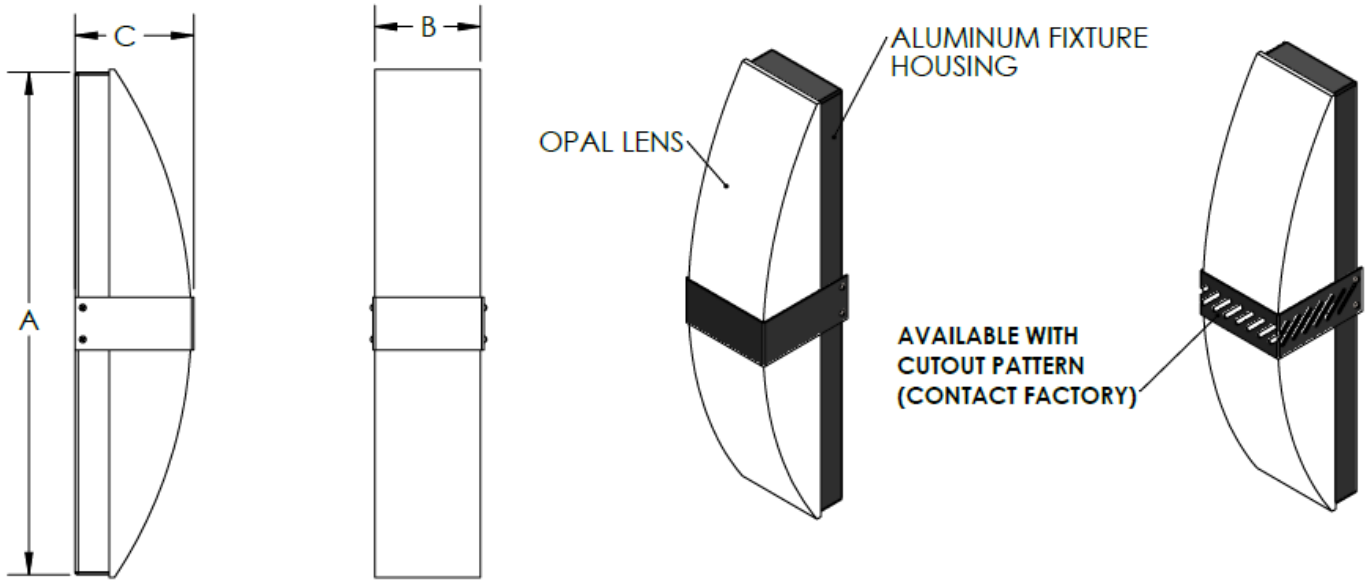
*General lumens are based on Wattage and 5000K CCT
 *Specific IES Files available upon request
 Std – Standard Offering

ZAC- _____ - _____ - _____ - _____ - _____ - _____ - _____ - _____

Customization Notes:

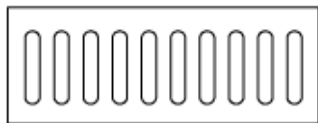
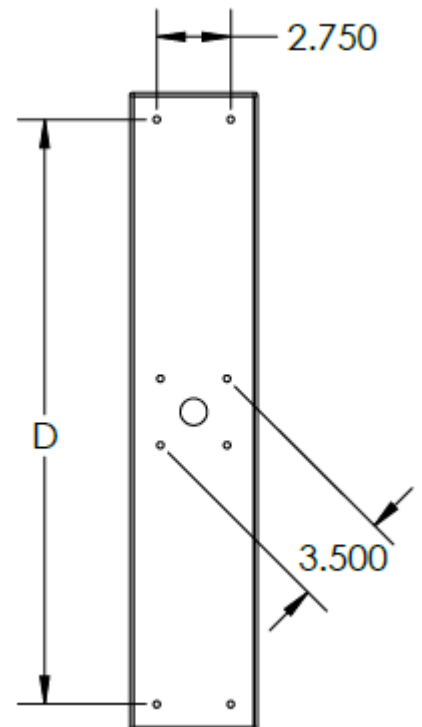
▶▶▶ Info on this spec sheet will change without notice as product development is an ongoing process.

Dimensions & Mounting (measurements in inches; drawings are not to scale)

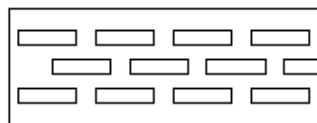


PRODUCT	DIM "A"	DIM "B"	DIM "C"	DIM "D"
ZAC-18	18.00"	5.00"	5.625"	15.75"
ZAC-24	24.00"	5.00"	5.625"	21.75"
ZAC-30	30.00"	5.00"	5.625"	27.75"

MOUNTING DETAILS:



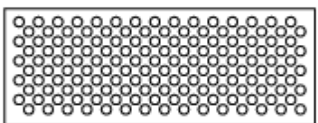
PATTERN: 1



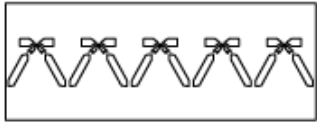
PATTERN: 2



PATTERN: 3



PATTERN: 4



PATTERN: 5

CONTACT FACTORY FOR OTHER AVAILABLE PATTERN OPTIONS