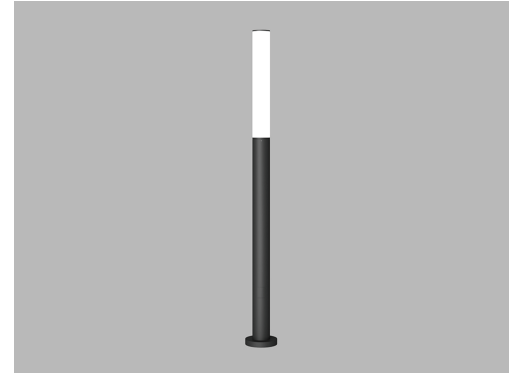




Date
Quote #
Project Name
Type



WND-1 - Light Column

Description:

WND-1 is a circular light column that consists of an opal lens and extruded aluminum shaft. Designed to add a modern aesthetic for outdoor pathways.

Name	Engine	Lumens	CCT	Electrical	Mounting	Lens	Pattern	Options	Finish
<input type="text"/>	<input type="text"/>	<input type="text"/>	<input type="text"/>	<input type="text"/>	<input type="text"/>	<input type="text"/>	<input type="text"/>	<input type="text"/>	<input type="text"/>

Name	Light Engine	Source Lumens(LED)	Color Temp	Electrical
WND-1-6	42W LED (Max)	7388	3000K	UNV 120-277V
WND-1-8	60W LED (Max)	10553	3500K 4000K 5000K	HLV 347-480V

Contact for custom Contact for custom Contact for custom

Mounting		Lens		Light Pattern		Options		Finishes	
ABT	Anchor, bolts and template	OAL	Opal acrylic lens	TY5	Type V (Std)	SD	Step dimming	Standard	
						MS	Motion sensor	BL	Black
						EM	Emergency battery	WH	White
						TS	Tamperproof screws	SG	Silver Grey
						TP	Tamperproof hardware	BZ	Bronze
						PC	Button photocell	Custom	
						PFM	Perforated mesh (180 degree)	CC	Custom Color
						GFR	Ground fault receptacle	See website for custom colors. Contact factory for physical samples.	
						TCO	Trespass cut off		

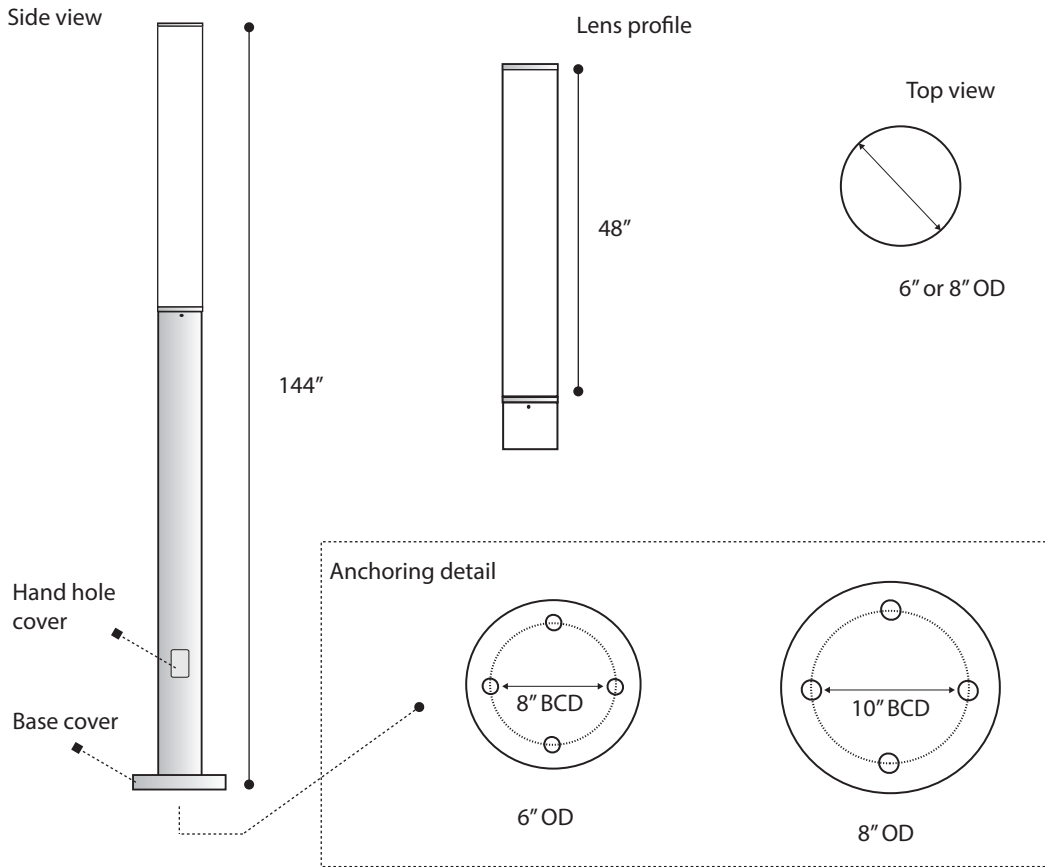
- Lumens are based on max wattage & 5000K CCT
- IES files available upon request
- Std - Standard Offering





Dimensions & Mounting:

Please note that drawings are not to scale.



Listing:

Compliest to CSA and UL standards.

Polar Graph:

