



Date
Quote #
Project Name
Type



WL3 - Wall Mount

Description:

Wall mount luminaire with cast aluminum housing and a silicone sealed lens for weather protection. Suitable for dark sky applications.

Name	Engine	Lumens	CCT	Electrical	Mounting	Lens	Pattern	Options	Finish
<input type="text"/>	<input type="text"/>	<input type="text"/>	<input type="text"/>	<input type="text"/>	<input type="text"/>	<input type="text"/>	<input type="text"/>	<input type="text"/>	<input type="text"/>

Name	Light Engine	Source Lumens(LED)	Color Temp	Electrical
WL3	48W LED (Max)	6240	3000K	UNV 120-277V
			3500K	HLV 347-480V
			4000K	
			5000K	

Mounting		Lens		Light Pattern		Options		Finishes	
WM	Wall Mount	CG	Clear glass lens (Std)	D	Down light (Std)	WL	Wet location	Standard	
		CPL	Clear polycarbonate lens			TP	Tamperproof hardware	BL	Black
		OPL	Opal polycarbonate lens			TS	Tamperproof screws	WH	White
						PC	Button photocell	SG	Silver Grey
						SF	Single fuse	BZ	Bronze
						RB	Remote ballast/driver	Custom	
						DCO	Dark sky cutoff	CC	Custom Color
									See website for custom colors. Contact factory for physical samples.

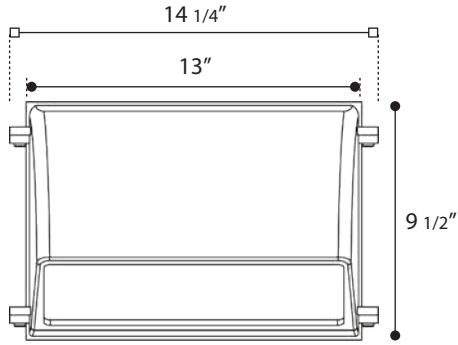
- Lumens are based on max wattage & 5000K CCT
- IES files available upon request
- Std - Standard Offering



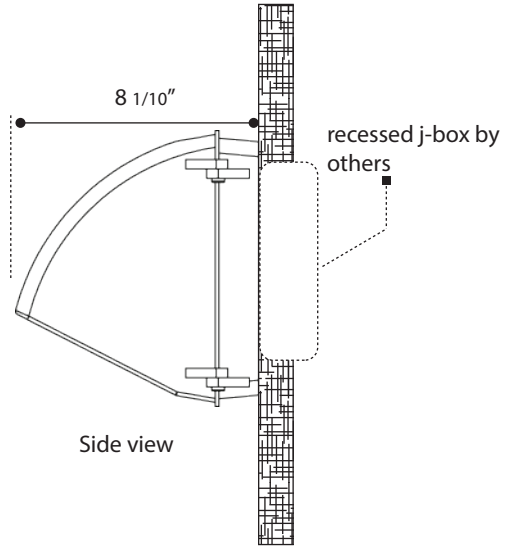


Dimensions & Mounting:

Please note that drawings are not to scale.

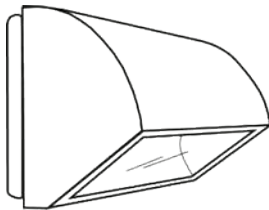


Front view



Side view

Isometric view



Listing:

Complies to CSA and UL standards.

Polar Graph:

