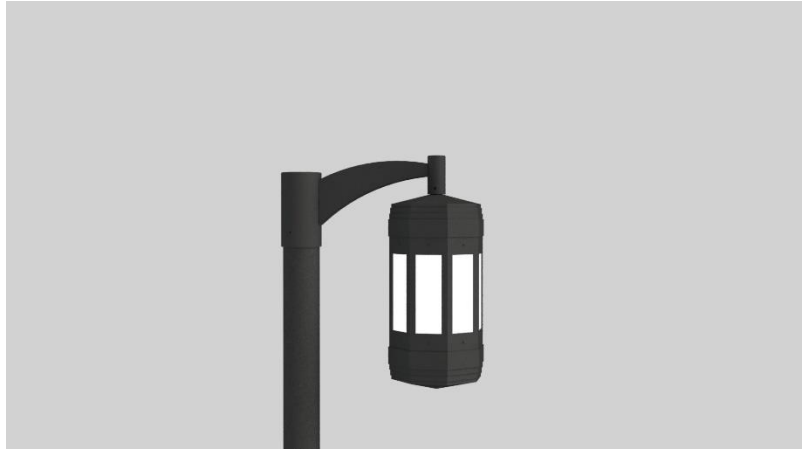


Date:

Type:

Project:



VELA POLE MOUNT

Classic design with modern LED lighting technology. This octagonal robust luminaire is made from aluminum extrusion with illumination from all sides.

This is a design family that is available in different mounting versions.

Name	Lamping	Lumens*	Color Temperature	Electrical	Pole Mount Arm Options
VELA-PM	48 W LED	7900	5000K 4000K 3500K 3000K	UNV HLV 120-277V 347-480V	DA4 DCA CD4 GN Decorative arm for 4" pole Decorative curved arm Custom decorative arm for 4" pole Goose neck arm

Contact factory for other mounting options.
[See Poles & Bases Info on website.](#)

Lens	Light Pattern	Options	Finishes
FG	Frosted lens (Std)	TY5	Type V distribution
		BA	Fixed single banner arm
		2XBA	Fixed double banner arms, indicate distance
		CUSTOM	Custom pole configuration, contact Factory
		DM	0-10V dimming
		PC	Button photocell, voltage specific
		BL	Black
		BZ	Bronze
		WH	White
		SG	Silver Grey
		CC	Custom Color

Contact factory for varying finishes.
[See finishes info on website](#)

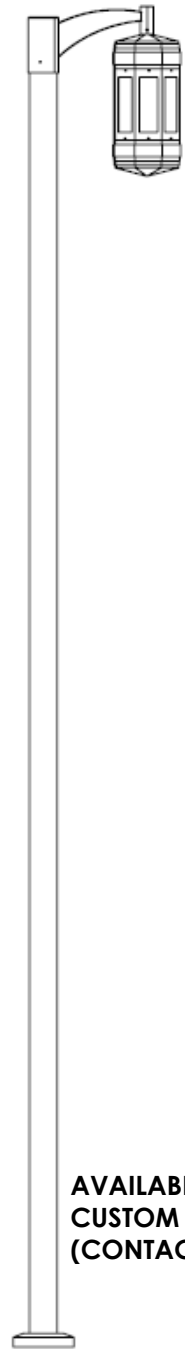
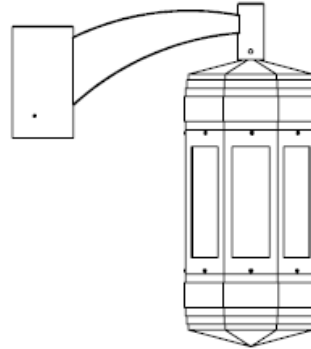
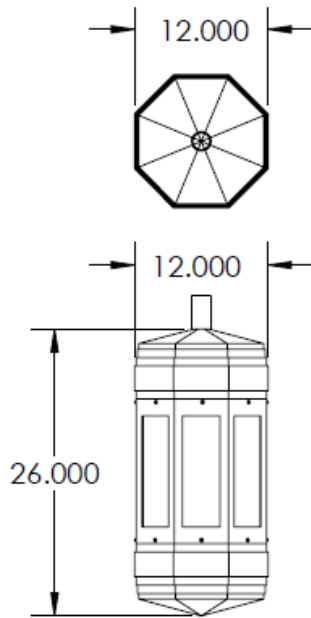
*Lumens are based on Max Wattage and 5000K CCT
*Specific IES Files available upon request
Std – Standard Offering

VELA-PM- _____ - _____ - _____ - _____ - _____ - _____ - _____ - _____

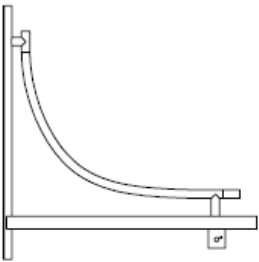
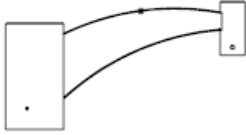
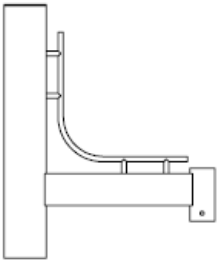
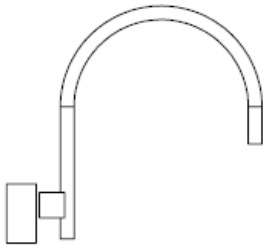
Customization Notes:

▶▶▶ Info on this spec sheet will change without notice as product development is an ongoing process.

Dimensions & Mounting (measurements in inches; drawings are not to scale)

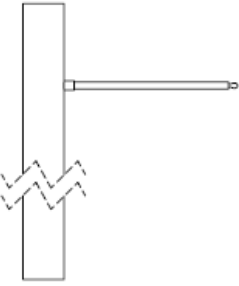
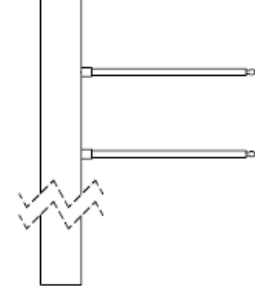


MOUNTING OPTIONS:

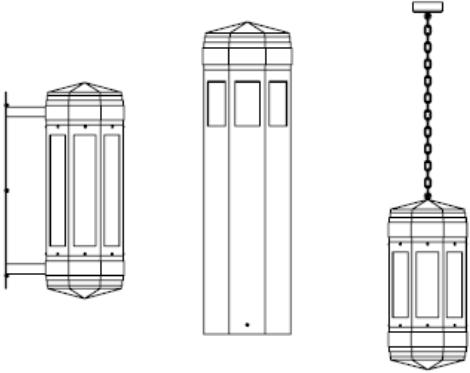
 <p>DA4 (L-30 - H-30)</p>	 <p>DCA (L-22.5 H-11)</p>	 <p>CD4 (L-20 H-24)</p>	 <p>GN (L-30 H-28)</p>
--	---	--	--

**AVAILABLE IN
CUSTOM POLE MOUNT
(CONTACT FACTORY)**

BANNER ARM OPTIONS:

<p>BA</p>  <p>FIXED SINGLE BANNER ARM</p>	<p>2XBA</p>  <p>FIXED DOUBLE BANNER ARM</p>
--	---

**NOTE: BANNER ARM DISTANCE MUST BE CONFIRMED
PRIOR TO PRODUCTION**



**AVAILABLE IN WALL MOUNT,
BOLLARD AND PENDANT VERSION**