



| |
|--------------|
| Date |
| Quote # |
| Project Name |
| Type |



VANDALUME - Post Top

Description:

Constructed of a one-piece driver compartment and spun aluminum skirt. Prismatic lens is standard. All external hardware is stainless steel. Dark sky cut-off compliant.

Name - Engine - Lumens - CCT - Electrical - Mounting - Lens - Pattern - Options - Finish

| Name | Light Engine | Source Lumens _{(LED)(5000K)} | Color Temp | Electrical |
|------|---------------|---------------------------------------|------------|--------------|
| VDS | 60W LED (Max) | 7800 | 2700K | UNV 120-277V |
| VDL | 120 LED (Max) | 13872 | 3000K | HLV 347-480V |
| | | | 3500K | |
| | | | 4000K | |
| | | | 5000K | |

Contact for custom

Contact for custom

Contact for custom

| Mounting | Lens | Light Pattern | Options | Finishes |
|-------------------------------------|-------------------------|------------------|--------------------------|--|
| PT3 Post top slips over 3" dia pole | PR Prismatic lens (K12) | TY5 Type V (Std) | SD Step dimming | Standard |
| | | | MS Motion sensor | BL Black |
| PT4 Post top slips over 4" dia pole | | TY3 Type III | PC Button photocell | WH White |
| | | | SF Single fuse | SG Silver Grey |
| PIM Pier mount | | | DF Double fuse | BZ Bronze |
| | | | PCR Photocell receptacle | Custom |
| | | | TP Tamperproof hardware | CC Custom Color |
| | | | TS Tamperproof screws | See website for custom colors. Contact factory for physical samples. |
| | | | TCO Trespass cut off | |

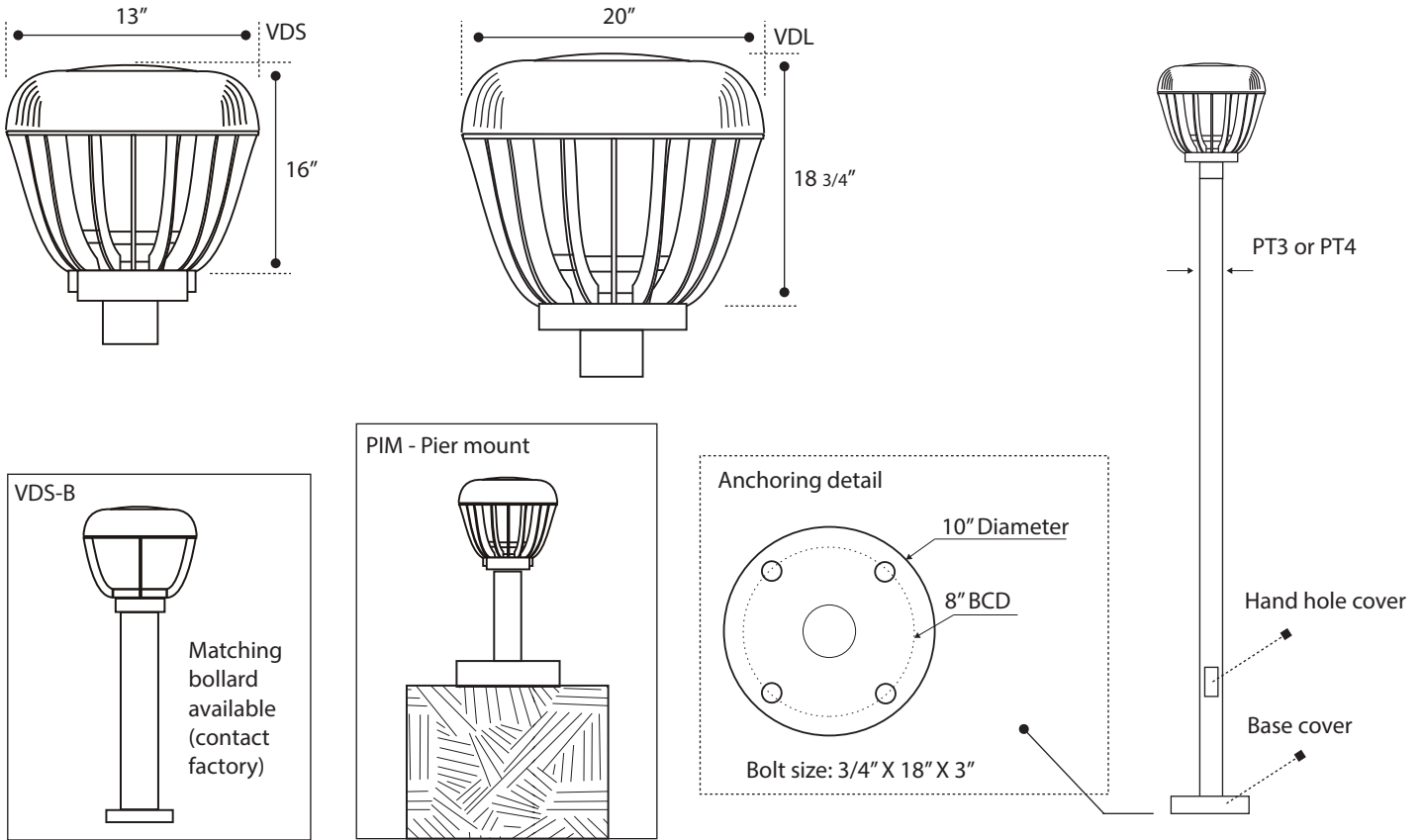
- Lumens are based on max wattage & 5000K CCT
- IES files available upon request
- Std - Standard Offering





Dimensions & Mounting:

Please note that drawings are not to scale.



Listing:

Complies to CSA and UL standards.

Polar Graph:

