



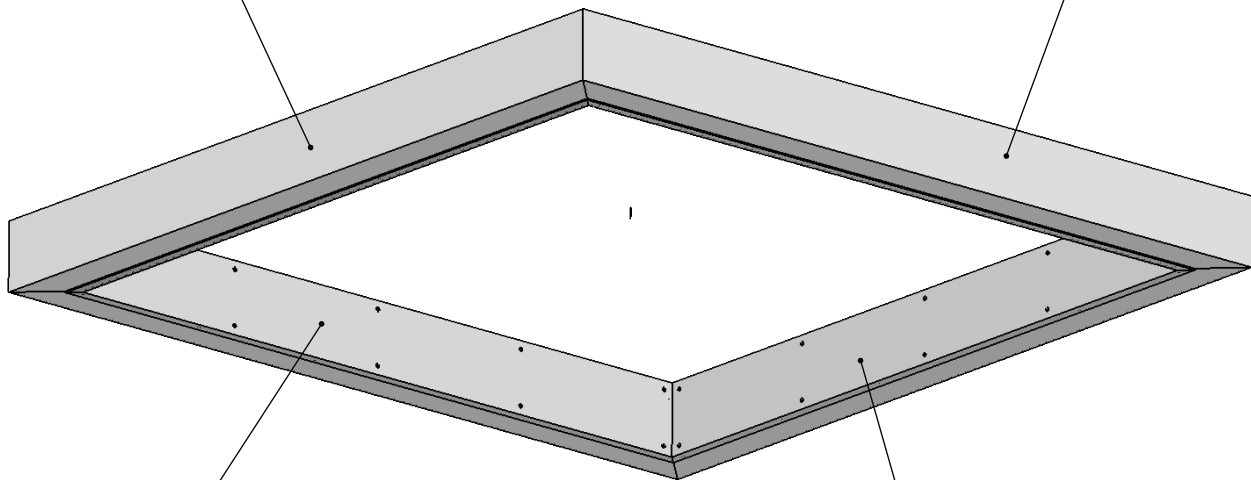
• All service should be performed by qualified personnel - power supply to be disconnected prior to installation.

• Connections made must comply with local regulations and the national electrical code. Contact Solera for additional information on installations.

Installation Instructions: UNI-O-70"

Fixture Handling:

**DO NOT TOUCH OR LIFT FIXTURE UP
BY THE ACRYLIC DIFFUSERS**



**LIFT FIXTURE UP ONLY
BY THE EXTRUDED FRAME**



- All service should be performed by qualified personnel - power supply to be disconnected prior to installation.
- Connections made must comply with local regulations and the national electrical code. Contact Solera for additional information on installations.

Installation Instructions: UNI-O-70"

1 Place ceiling mtg. plate over JBox and secure to ceiling with qty (4) ceiling mounting screws (by others).

2 Feed 4 aircraft cables into the cable grippers aty (4).

3 Make all necessary wire connections in the junction box.

4 Place canopy over ceiling mtg. plate and secure using qty (4) canopy mtg. screws.

