



Date
Quote #
Project Name
Type



12 degree slant version

TORCH - Wall Mount

Description:

Constructed of a cast aluminum door frame and fabricated aluminum base. Wood cone base available. TORCH provides an indirect throw. All external hardware is stainless steel.

Name - Engine - Lumens - CCT - Electrical - Mounting - Lens - Pattern - Options - Finish

Name	Light Engine	Source Lumens _{(LED)(5000K)}	Color Temp	Electrical
TORCH-1	9W LED (Max)	595	2700K	UNV 120-277V
TORCH-2			3000K	HLV 347-480V
TORCH-3			3500K	
			4000K	
			5000K	

For better illustration of variations see {page 2}

Contact for custom

Contact for custom

Contact for custom

Mounting		Lens		Light Pattern		Options		Finishes	
WM	Wall mount	CPL +OR	Clear polycarbonate lens with opal reflector (Std)	IT	Indirect throw	WCB	Wood cone base	BL	Black
12	12 degree slant					TP	Tamperproof hardware	WH	White
						TS	Tamperproof screws	SG	Silver Grey
								BZ	Bronze
								CC	Custom Color
						WL	Wet location		See website for custom colors. Contact factory for physical samples.
						SF	Single fuse		
						RB	Remote ballast/driver		

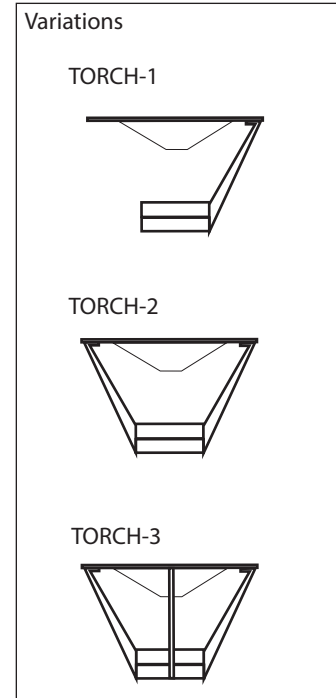
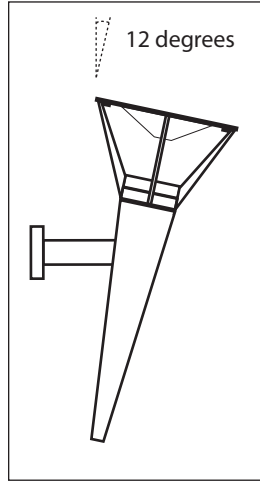
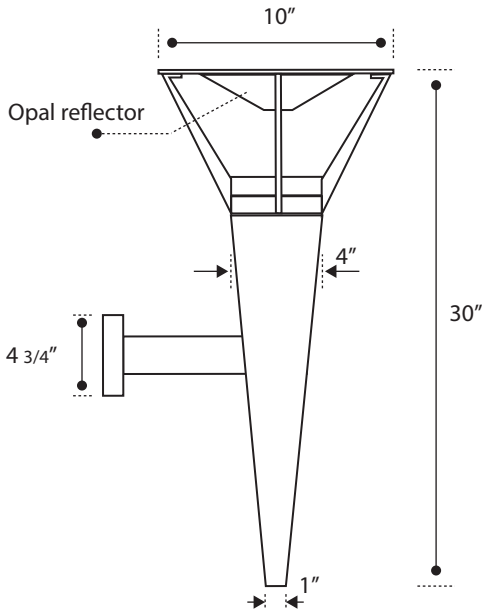
- Lumens are based on max wattage & 5000K CCT
- IES files available upon request
- Std - Standard Offering





Dimensions & Mounting:

Please note that drawings are not to scale.



Listing:

Complies to CSA and UL standards.

Polar Graph:

