



Date
Quote #
Project Name
Type



TITAN - Light Column

Description:

Top assembly consists of a cylindrical opal acrylic lens. Aluminum base has 8 light slots that provides a surrounding glow just below the lens. All external hardware is stainless steel.

Name - Engine - Lumens - CCT - Electrical - Mounting - Lens - Pattern - Options - Finish

Name	Light Engine	Source Lumens(LED)	Color Temp	Electrical
TITAN	50W LED (Max)	8448	3000K	UNV 120-277V
			3500K	HLV 347-480V
			4000K	
			5000K	

Contact for custom Contact for custom Contact for custom

Mounting	Lens	Light Pattern	Options	Finishes
ABT Anchor, bolts and template	OAL Opal acrylic lens	TY5 Type V (Std)	SD Step dimming	Standard
			MS Motion sensor	BL Black
			EM Emergency battery	WH White
			TP Tamperproof hardware	SG Silver Grey
			PC Button photocell	BZ Bronze
			GFR Ground fault receptacle	Custom
				CC Custom Color

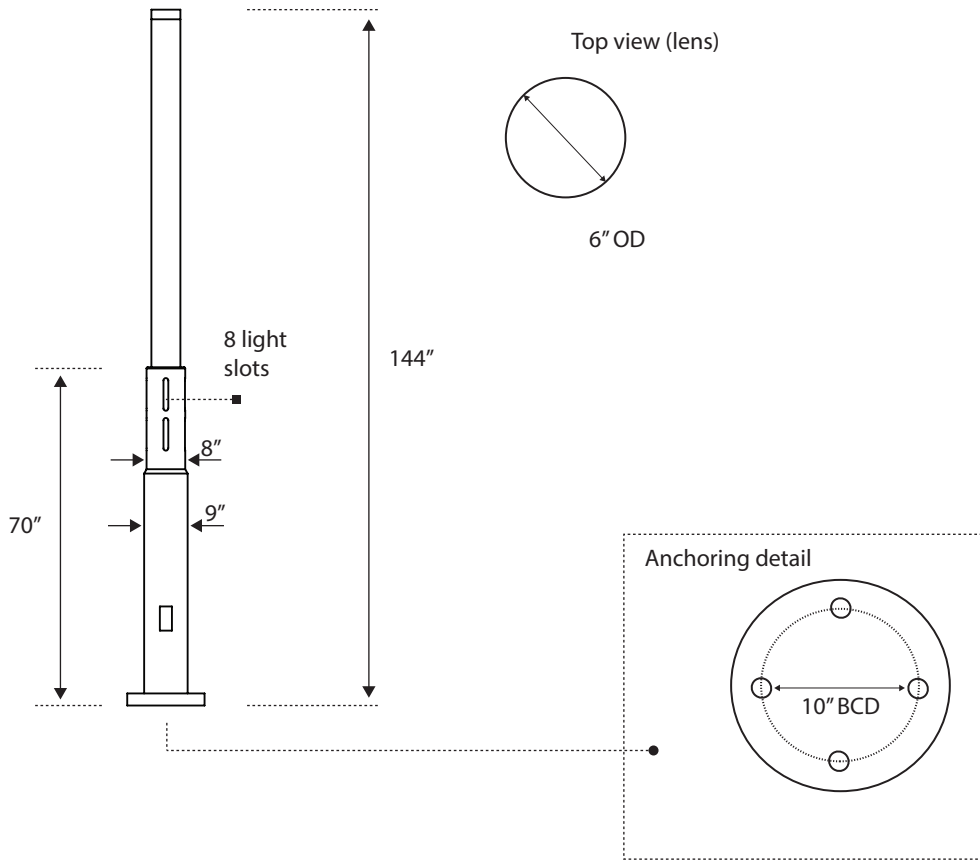
See website for custom colors.
 Contact factory for physical samples.

- Lumens are based on max wattage & 5000K CCT
- IES files available upon request
- Std - Standard Offering



Dimensions & Mounting:

Please note that drawings are not to scale.



Listing:

Compliest to CSA and UL standards.

Polar Graph:

