

Date:
Type:
Project:



SUZ-BLD - BOLLARD

Round bollard with flat top and deco bars providing ample symmetrical light patterns for walkways and pathways.

Name	Lamping	Lumens*	Color Temp	Electrical		Mounting	
SUZ-BLD	24W LED (Max)	2377	3000K	UNV	120-277V	ABT	Anchors, Bolts & Template
			4000K	HLV	347-480V		
			5000K				
	Contact for other wattages	Contact for custom	Specify other				

Lens		Light Pattern		Options		Finishes	
OAL	Opal Acrylic Lens	TY5	Type V (Std)	TP	Tamperproof Hardware	BL	Black
				TS	Tamperproof Screws	WH	White
				DM	0-10V Dimming	SG	Silver Grey
				PC	Button Photocell	BZ	Bronze
				SF	Single Fuse	CC	Custom Color
				GFR	Ground Fault Receptacle		
				D	Dome Top		
							See finishes info on website

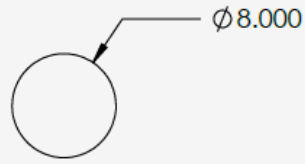
*Lumens are based on Max Wattage and 3000K CCT
Std – Standard Offering

SUZ-BLD- _____ - _____ - _____ - _____ - _____ - _____ - _____ - _____

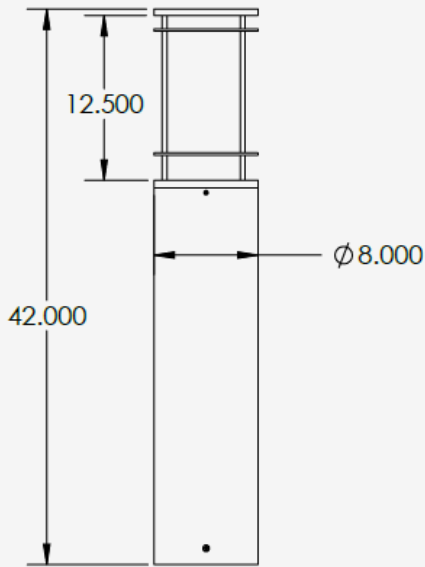
Customization Notes:

→ Info on this spec sheet will change without notice as product development is an ongoing process.

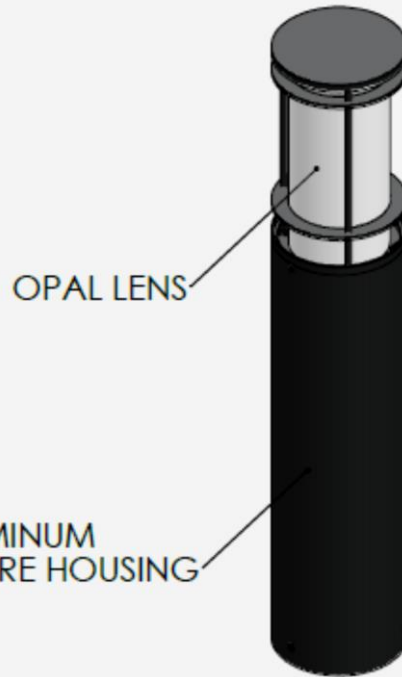
Dimensions (drawings are not to scale; all dimensions in inches)



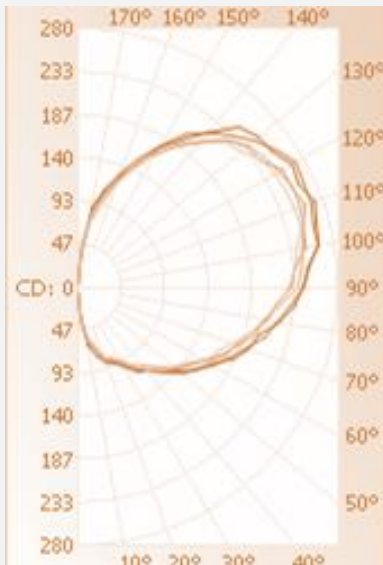
Top View



Front View

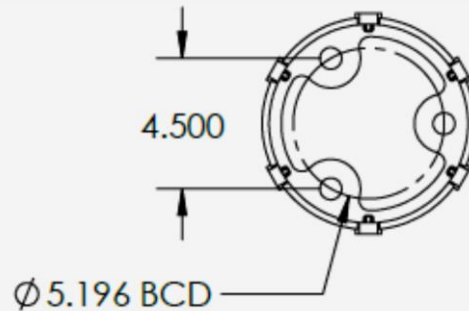


Polar Graph



TYPE V

Anchoring Details (not to scale; dimensions in inches)



Anchorbolt Size: 1/2" X 12" X 1-3/8"

- Hot dipped Galvanized anchor bolts
- Galvanized steel hex nuts
- Galvanized steel lock washers
- Galvanized steel flat washers