

STAR

Wall Mount/Exterior

WWW.SOLERACORP.COM



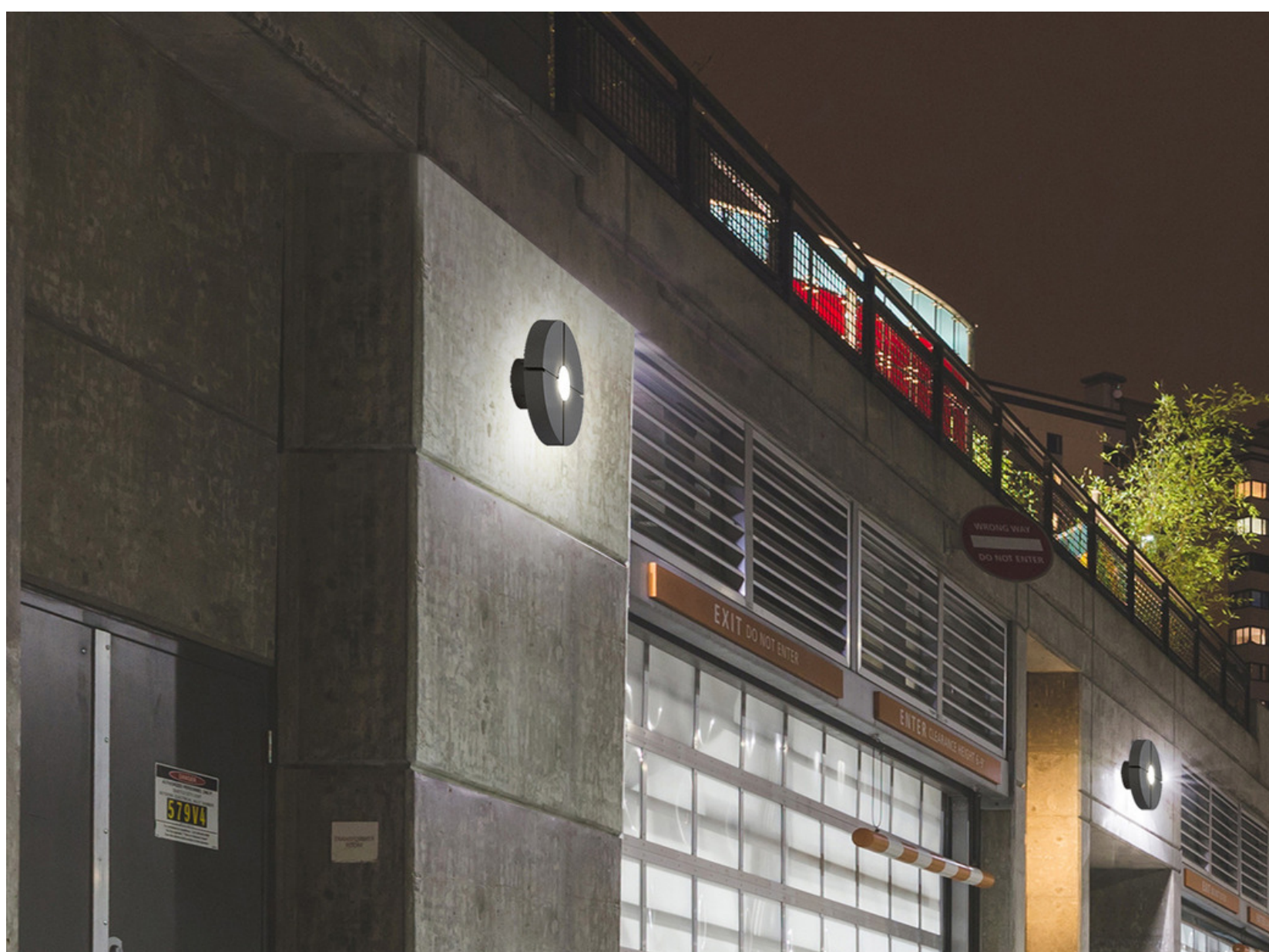
A distinctive wall mount with front and backlit components. Designed for spaces that require forward illumination as well as wall accents.

Constructed of extruded aluminum and a dome opal acrylic lens through the center.

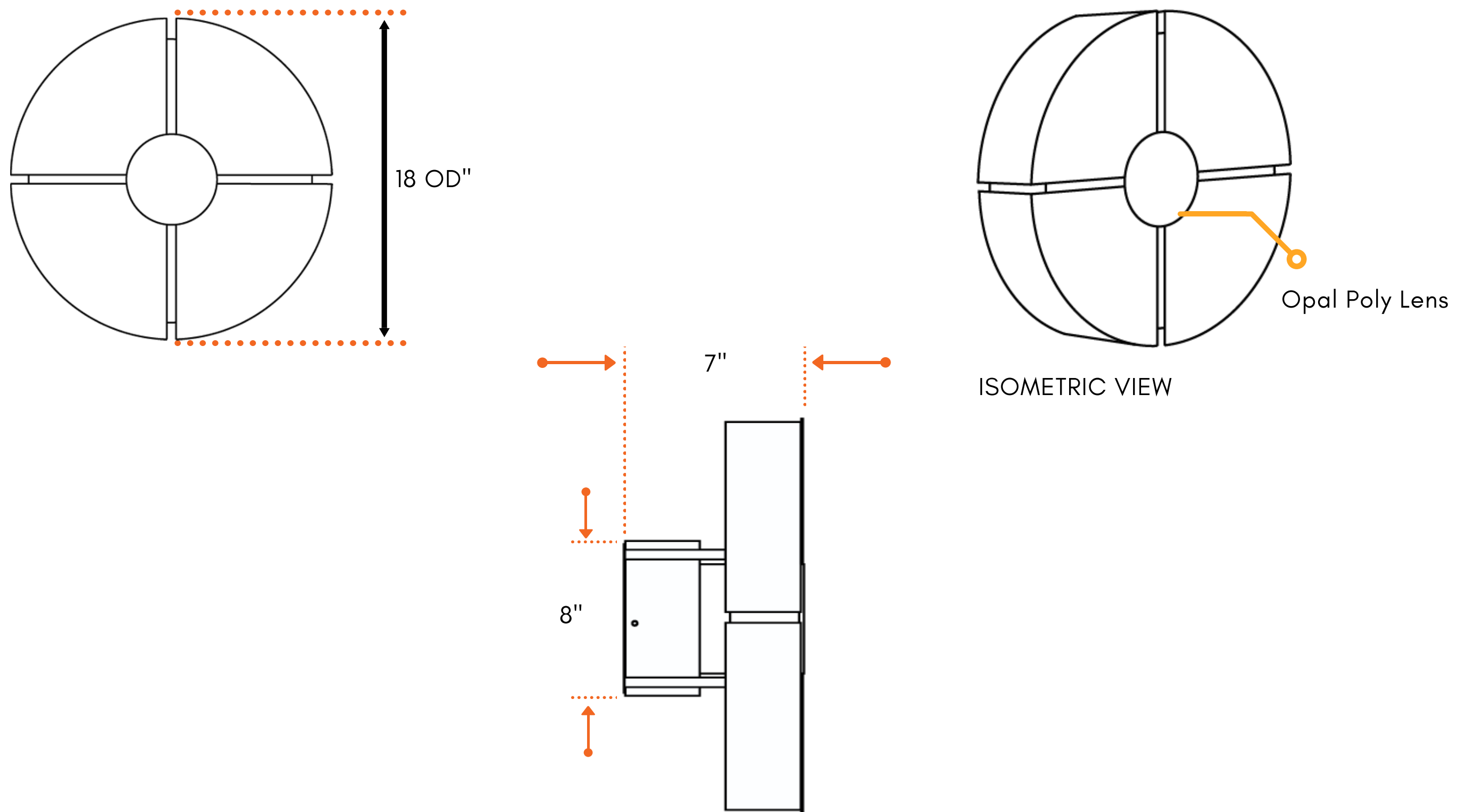


Wall mounted to a recessed J-Box. Housing fits over mounting plate and secures to external plate screws. Suitable for wet location applications.

Illuminated with CREE LED Chips. Wattages are customizable to meet project illumination requirements. 60Hz Universal Driver (120/277V) is standard.



Options include 0-10V Dimming, Tamperproof Hardware, and Wet Location rating.



Lamping: 25W LED (Max).

Lumens: 3484 (based on max wattage & 5000K CCT)

Correlated Color Temps: Available in 3000K, 4000K and 5000K (contact for custom).

Lens Detail / Shielding: Opal Acrylic Lens (OPL) is standard.

Light Pattern: Front and Back Light (Std), Front Light Only, or Back Light Only.

Electrical: Universal (120-277V) LED Driver is standard. Other options include 347V (Canada) and 480V.

Mounting: Wall Mount (WM)

Other Options: Nonstandard options include Tamperproof Hardware (TP), Tamperproof Screwdriver (TS), Dimming (0-10V), Wet Location (WL).

Finish: Choose the desired paint finish. Standard finishes include Minitex Black (BL), Minitex White (WH), Minitex Silver (SG) and Minitex Bronze (BZ).

Custom Colors Available: See RALs under finishes section.



120 Walker Drive
Brampton, ON
L6T 4G9
Canada

Ph: 905-457-4777

Toll Free: 1-877-765-3722

Fax: 905-457-1115