



Date
Quote #
Project Name
Type



SRBT - Bollard

Description:

Constructed of a one piece fabricated aluminum shaft and silicone sealed linear prismatic lens (Std). Lens frame is secured with flush screws. All external hardware is stainless steel.

Name - Engine - Lumens - CCT - Electrical - Mounting - Lens - Pattern - Options - Finish

Name	Light Engine	Source Lumens _{(LED)(5000K)}	Color Temp	Electrical
SRBT	42 LED (Max)	5460	3000K	UNV 120-277V
			3500K	HLV 347-480V
			4000K	
			5000K	
	Contact for custom	Contact for custom	Contact for custom	

Mounting		Lens		Light Pattern		Options		Finishes	
ABT	Anchors, bolts and template	LPL	Linear prismatic lens (Std)	FT	Forward throw	MS	Motion sensor	Black	
								BL	Black
		PR	Prismatic lens (K12)			SD	Step dimming	WH	White
								TP	Tamperproof hardware
		TS	Tamperproof screws			BZ	Bronze		
						PC	Button photocell	Custom	
		SF	Single fuse					CC	Custom Color
						BC	Base Cover	See website for custom colors. Contact factory for physical samples.	
GFR	Ground fault receptacle								
		ELB	Electronic HID ballast						

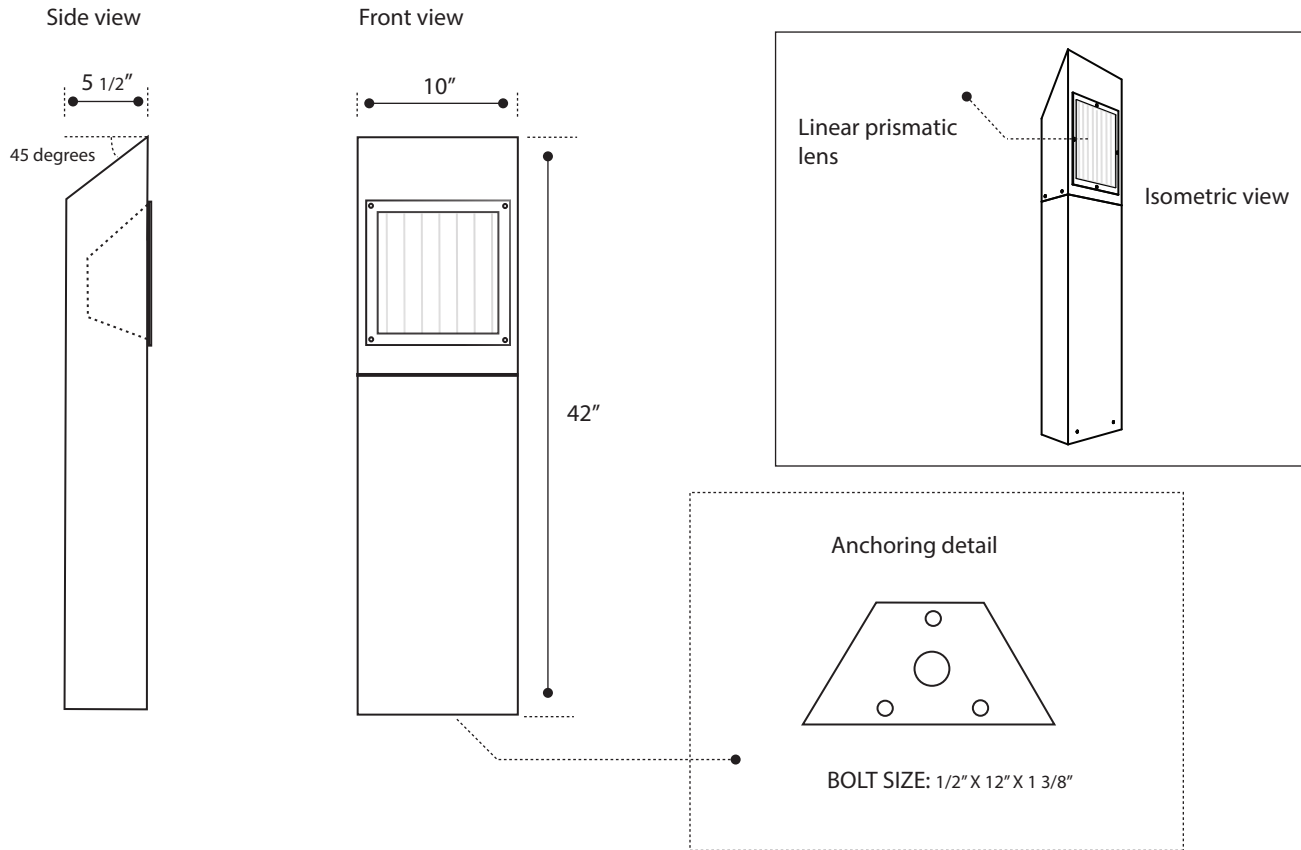
- Lumens are based on max wattage & 5000K CCT
- IES files available upon request
- Std - Standard Offering





Dimensions & Mounting:

Please note that drawings are not to scale.



Listing:

Complies to CSA and UL standards.

Polar Graph:

