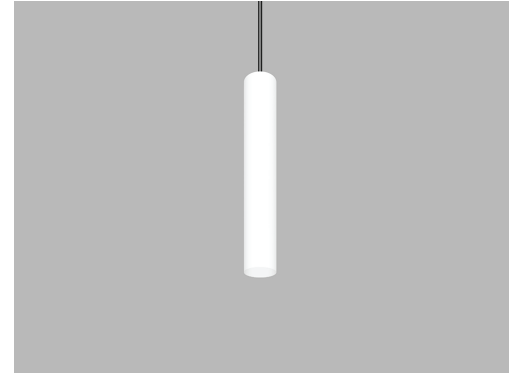




Date
Quote #
Project Name
Type



## SRBP-O - Pendant

### Description:

SRBP-O is a cylindrical pendant that is illuminated on all sides by an opal acrylic lens. Option to specify with a directional down light. All external hardware is stainless-steel.

Name	Engine	Lumens	CCT	Electrical	Mounting	Lens	Pattern	Options	Finish
<input type="text"/>	<input type="text"/>	<input type="text"/>	<input type="text"/>	<input type="text"/>	<input type="text"/>	<input type="text"/>	<input type="text"/>	<input type="text"/>	<input type="text"/>

Name	Light Engine	Source Lumens(LED)	Color Temp	Electrical
SRBP-O-2	2"X12" 1W LED (Max)	176	2700K	UNV 120-277V
SRBP-O-4	4"X20" 9W LED (Max)	1259	3000K	HLV 347-480V
SRBP-O-6	6"X24" 30W LED (Max)	5280	3500K	
SRBP-O-8	8"X30" 42W LED (Max)	7392	4000K	
SRBP-O-10	10"X48" 60W LED (Max)	10560	5000K	
	Contact for custom	Contact for custom	Contact for custom	

Mounting	Lens	Light Pattern	Options	Finishes
AC36 36" aircraft acable (Std)	OAL Opal acrylic lens	EG Encompassing glow (Std)	DM 0-10V dimming	Standard BL Black
P24 24" pendant stem		EG+D Encompassing glow + down light	DM1 1% dimming	WH White
CLU Cluster mount (contact factory)			EM Emergency battery	SG Silver Grey
			RB Remote ballast/driver	BZ Bronze
			RGBW Programmable color changing LEDs	Custom CC Custom Color

- Lumens are based on max wattage & 5000K CCT
- IES files available upon request
- Std - Standard Offering
- EM and DM options are not available with SRBP-O-2-1W

Since product development is an on-going process, Solera reserves the right to change the information on this spec sheet.

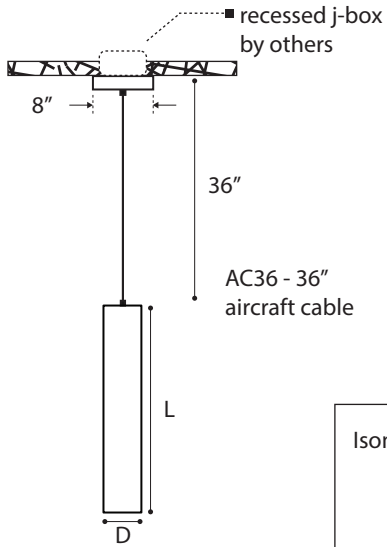
Date Modified: 07-31-2024



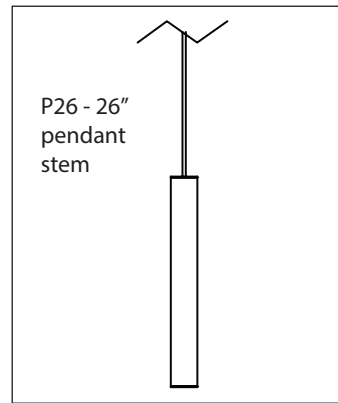
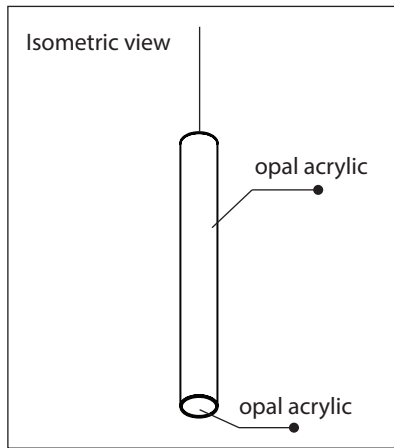
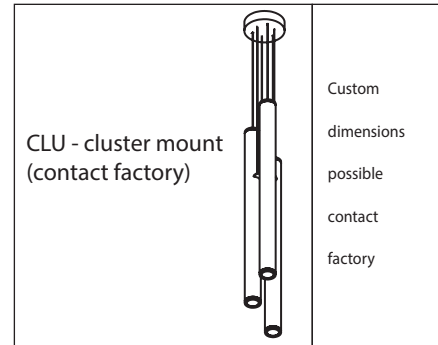


**Dimensions & Mounting:**

Please note that drawings are not to scale.



	D	L
SRBP-O-2	2"	12"
SRBP-O-4	4"	20"
SRBP-O-6	6"	24"
SRBP-O-8	8"	30"
SRBP-O-10	10"	48"



**Listing:**

Complies to CSA and UL standards.

**Polar Graph:**

