



Date
Quote #
Project Name
Type



SRBC - Ceiling Mount

Description:

Extruded aluminum housing with a silicone sealed clear glass lens (Std). All external hardware is stainless steel.

Name	Engine	Lumens	CCT	Electrical	Mounting	Lens	Pattern	Options	Finish
<input type="text"/>	<input type="text"/>	<input type="text"/>	<input type="text"/>	<input type="text"/>	<input type="text"/>	<input type="text"/>	<input type="text"/>	<input type="text"/>	<input type="text"/>

Name	Light Engine	Source Lumens _{(LED)(5000K)}	Color Temp	Electrical
SRBC-6-12	6X12 18W LED (Max)	2378	2700K	UNV 120-277V
SRBC-6-15	6X15 29W LED (Max)	3235	3000K	HLV 347-480V
SRBC-8-15	8X15 50W LED (Max)	7306	3500K	
SRBC-8-15	8X18 50W LED (Max)	7306	4000K	
SRBC-13-20	13X20 72W LED (Max)	9795	5000K	

Contact for custom

Contact for custom

Contact for custom

Mounting	Lens	Light Pattern	Options	Finishes
CM Ceiling mount	CG Clear glass lens (Std)	NB Narrow beam	DM 0-10V dimming	Standard
	FG Frosted glass lens	MB Medium beam	DM1 1% dimming	BL Black
	PG Prismatic glass lens	WB Wide beam	SF Single fuse	WH White
			RB Remote ballast/driver	SG Silver Grey
			WL Wet location	BZ Bronze
			RGBW Programmable color changing LEDs	Custom
				CC Custom Color
				See website for custom colors. Contact factory for physical samples.

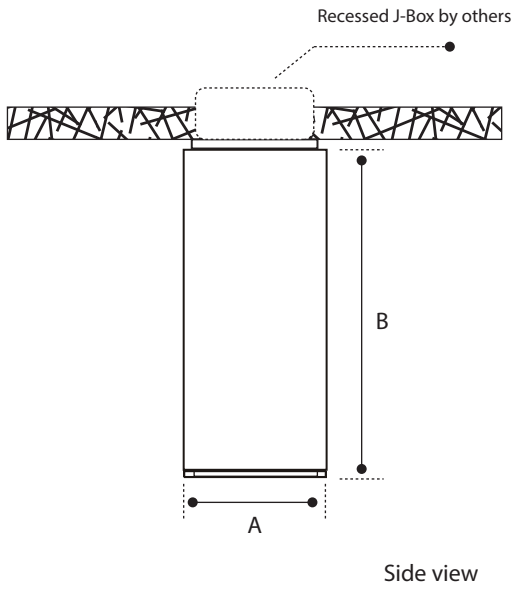
- Lumens are based on max wattage & 5000K CCT
- IES files available upon request
- Std - Standard Offering





Dimensions & Mounting:

Please note that drawings are not to scale.



	A	B	
SRBC (6X12)	6"	12"	Custom dimensions available contact factory
SRBC (6X15)	6"	15"	
SRBC (8X15)	8"	15"	
SRBC (8X18)	8"	18"	
SRBC (13X20)	13"	20"	

Isometric view



Listing:

Complies to CSA and UL standards.

Polar Graph:

