



Date
Quote #
Project Name
Type



DCR Assembly

## SRB6F & SRB8F- Bollard

### Description:

Cast aluminum bollard with several head assemblies. HBD (cast aluminum louvers) is standard. Other head assemblies include:

- DCR - Double cone reflector
- ILO - Internal louvers
- PRF - Prismatic refractor

Specify CONC for concrete shaft.

Name  - Engine  - Lumens  - CCT  - Electrical  - Mounting  - Lens  - Pattern  - Options  - Finish

Name	Light Engine	Source Lumens <sub>(LED)/(5000K)</sub>	Color Temp	Electrical
SRB6F	36 LED (Max)	4672	3000K	UNV 120-277V
SRB8F	48 LED (Max)	6240	3500K 4000K 5000K	HLV 347-480V

Contact for custom

Contact for custom

Contact for custom

Mounting	Lens	Light Pattern	Options	Finishes
ABT Anchor, bolts & template	Type of lens varies according to head assembly.  HBD head assembly comes with CPL (clear polycarbonate lens)  DCR, ILO & PRF ( For HID only) head assemblies come with CG (clear glass lens)  For better illustration of head assemblies see {page 2}	TY5 Type V (Std)  TY3 Type III (certain head assemblies)  180 180 degree (certain head assemblies)	MS Motion sensor  SD Step dimming  TP Tamperproof hardware  TS Tamperproof screws  PC Button photocell  SF Single fuse  GFR Ground fault receptacle	Standard BL Black WH White SG Silver Grey BZ Bronze Custom CC Custom Color  See website for custom colors. Contact factory for physical samples. CONC Concrete (shaft only)

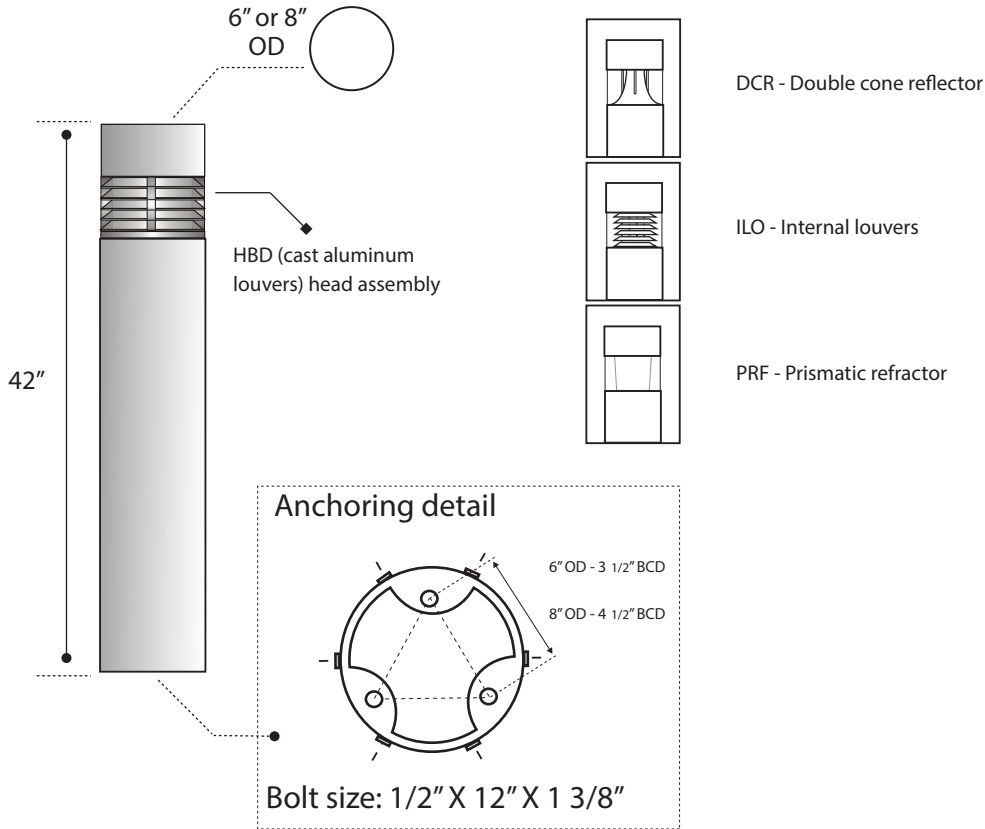
- Lumens are based on max wattage & 5000K CCT
- IES files available upon request
- Std - Standard Offering





**Dimensions & Mounting:**

Please note that drawings are not to scale.



**Listing:**

Complies to CSA and UL standards.

**Polar Graph:**

