

Date:

Type:

Project:



SRB-3-F BOLLARD

3" round bollard with flat top and 8 ½" long opal lens tube giving a slim, clean, sleek look. Emits ample symmetrical light pattern for walkways, pathways, patios, terraces, outdoor corridors. Standard is aluminum extrusion with option for stainless steel construction. Also available in wall mount version.

Name	Size	Lamping	Lumens*	Color Temp	Electrical	Mounting
SRB-3-F	18	10W LED (max)	1760	3000K	UNV 120-277V	ABT Anchors, Bolts & Template
	24			3500K	HLV 347-480V	
	36			4000K		
				5000K		
Contact for other heights		Contact for other wattages		Specify other		Contact for other mounting version

Lens		Light Pattern		Options		Finishes	
OPL	Opal lens	TY5	Type V distribution	TP	Tamperproof hardware & screws	BL	Black
				DM	0-10V Dimming	BZ	Bronze
				SF	Single Fuse	WH	White
				SS	Stainless steel construction	SG	Silver Grey
				UN	Unlit version		
				RED	Red LED	BA4	Brushed Aluminum #4
				GREEN	Green LED	CC	Custom Color
BLUE	Blue LED						
See finishes info on website							

*Lumens are based on Maximum Wattage, Type V Distribution, and 5000K CCT

*Specific IES Files available upon request

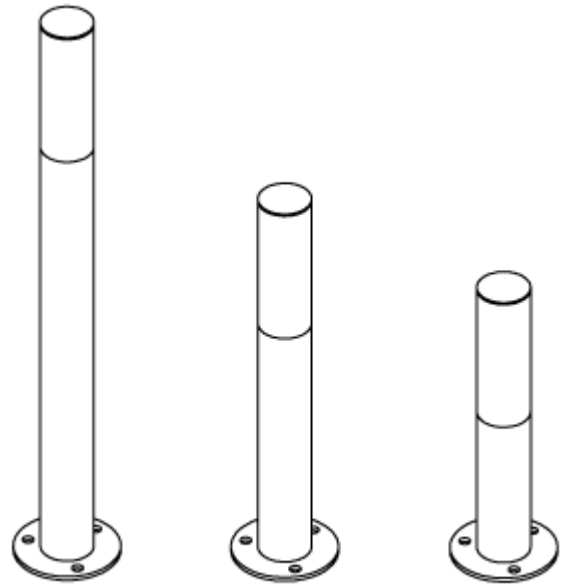
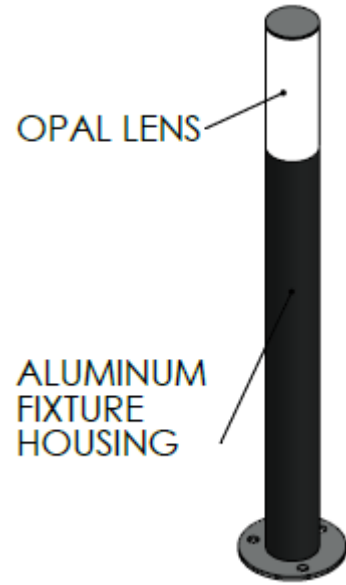
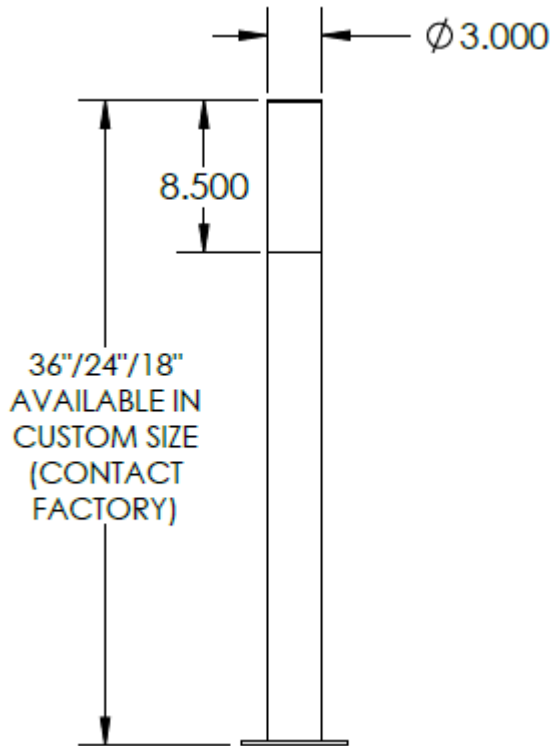
Std – Standard Offering

SRB-3-F- _____

Customization Notes:

→ Info on this spec sheet will change without notice as product development is an ongoing process.

Dimensions (drawings are not to scale; all dimensions in inches)

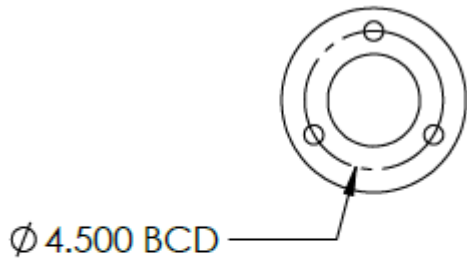


SRB-3-F-36

SRB-3-F-24

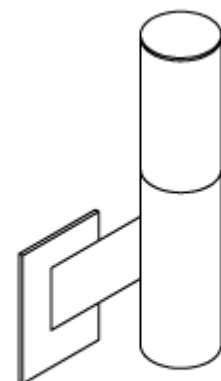
SRB-3-F-18

Anchoring Details (not to scale; dimensions in inches)



Anchorbolt Size: 1/2" X 12" X 1-3/8"

- Hot dipped Galvanized anchor bolts
- Galvanized steel hex nuts
- Galvanized steel flat washers



AVAILABLE IN WALL MOUNT VERSION
(Check wall luminaires)