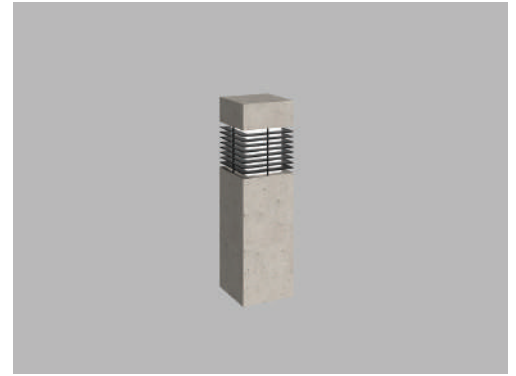




Date
Quote #
Project Name
Type



SQ CONC - Bollard

Description:

Square bollard constructed of pre-cast concrete and cast aluminum louvers. All external hardware is stainless steel.

Name - Engine - Lumens - CCT - Electrical - Mounting - Lens - Pattern - Options - Finish

Name	Light Engine	Source Lumens _{(LED)(5000K)}	Color Temp	Electrical
SQ CONC	30 W LED (Max)	3900	3000K	UNV 120-277V
			3500K	HLV 347-480V
			4000K	
			5000K	

Contact for custom

Contact for custom

Contact for custom

Mounting		Lens		Light Pattern		Options		Finishes	
ABT	Anchor, bolts & template	CPL	Clear polycarbonate lens (Std)	TY5	Type V (Std)	TP	Tamperproof hardware	CONC	Concrete
				TY3	Type III	TS	Tamperproof screws	Select louver finish:	
				180	180 degree (contact factory)	PC	Button photocell	Standard	
								BL - Black WH - White SG - Silver Grey BZ - Bronze	
								Custom	
								CC - Custom Color	
								See website for custom colors. Contact factory for physical samples.	

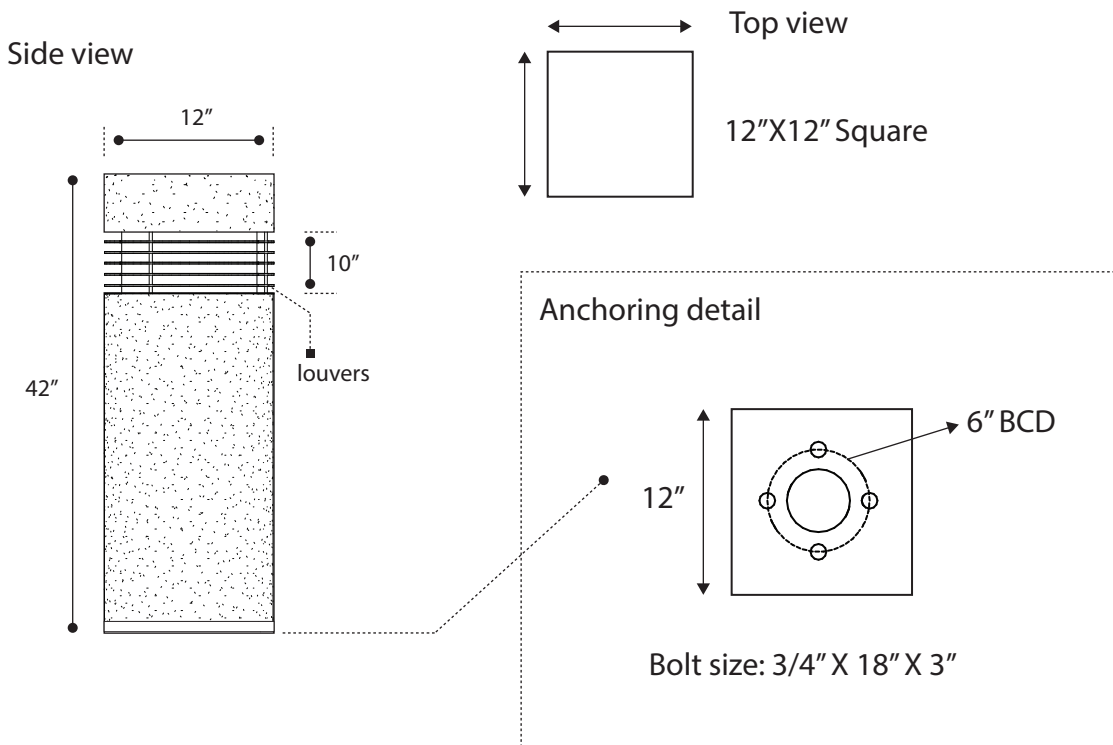
- Lumens are based on max wattage & 5000K CCT
- IES files available upon request
- Std - Standard Offering





Dimensions & Mounting:

Please note that drawings are not to scale.



Listing:

Complies to CSA and UL standards.

Polar Graph:

