



Date
Quote #
Project Name
Type



SPSB - Pendant

Description:

SPSB consists of a spun aluminum hub and a prismatic acrylic refractor. All external hardware is stainless steel. Open bottom is standard.

Name - Engine - Lumens - CCT - Electrical - Mounting - Lens - Pattern - Options - Finish

Name	Light Engine	Source Lumens _{(LED)(5000K)}	Color Temp	Electrical
SPSB-16	16 72 LED (Max)	8650	2700K	UNV 120-277V
			3000K	HLV 347-480V
SPSB-22	22 144 LED (Max)	17300	3500K	
			4000K	
			5000K	
SPSB-25	25 180 LED (Max)	21625		

Mounting		Lens		Light Pattern		Options		Finishes	
P48	48" pendant stem	PAR+OB	Prismatic acrylic refractor with open bottom (Std)	D	Down light	SF	Single fuse	Standard	
3C	3' electrical cord with hook	PAR+LB	Prismatic acrylic refractor with low bay lens			RB	Remote ballast/driver	BL	Black
						WG	Wire guard	WH	White
						ELB	Electronic HID ballast	SG	Silver Grey
						AEL	Quartz restrike	BZ	Bronze
						SV	Swivel canopy	CC	Custom Color
						SC	Safety chain	See website for custom colors. Contact factory for physical samples.	
						EM	Emergency battery		

• Lumens are based on max wattage & 5000K CCT

• IES files available upon request

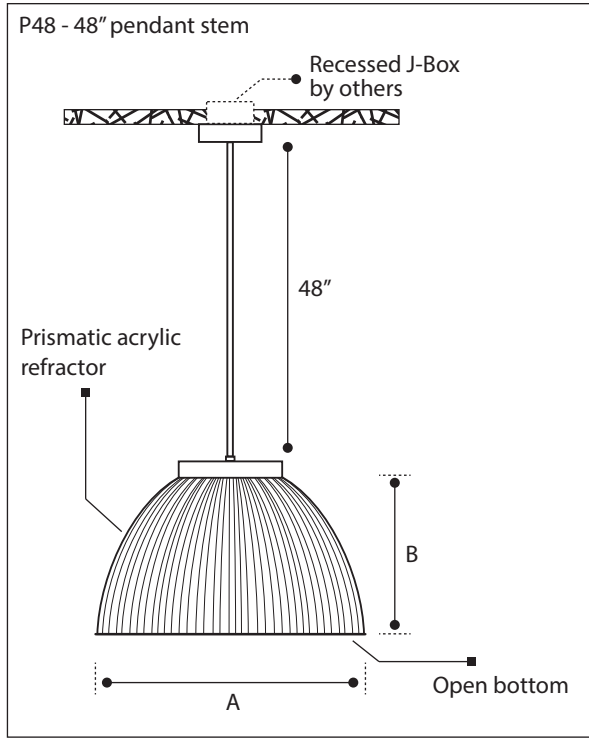
• Std - Standard Offering



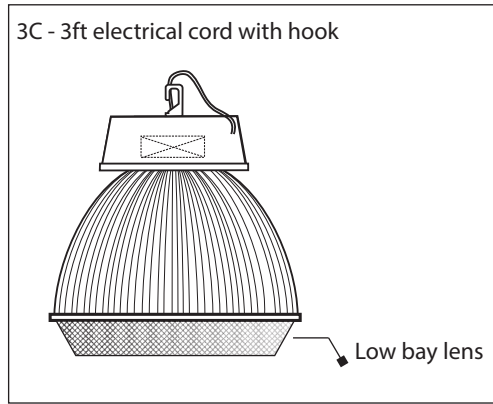


Dimensions & Mounting:

Please note that drawings are not to scale.



	A	B
SPSB-16	16"	10 1/4"
SPSB-18	18"	12"
SPSB-22	22"	12"
SPSB-25	25"	14"



Listing:

Complies to CSA and UL standards.

Polar Graph:

