



Date
Quote #
Project Name
Type



SP700 - Pendant

Description:

Constructed of a spun aluminum frame where open bottom is standard. All external hardware is stainless-steel.

SP 700 - No decorative bars

SP 703 - 3 decorative bars

Name - Engine - Lumens - CCT - Electrical - Mounting - Lens - Pattern - Options - Finish

Name	Light Engine	Source Lumens _{(LED)(5000K)}	Color Temp	Electrical
SP700	36W LED (Max)	5061	2700K	UNV 120-277V
SP703	2CFL26		3000K	HLV 347-480V
			3500K	
			4000K	
			5000K	

Contact for custom Contact for custom Contact for custom

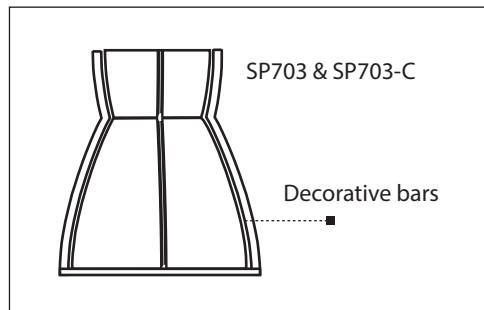
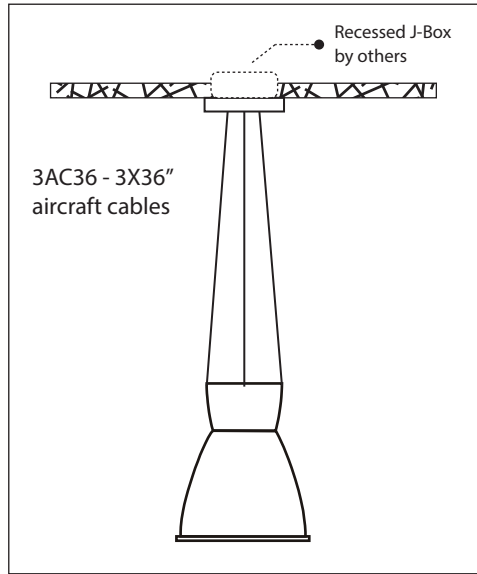
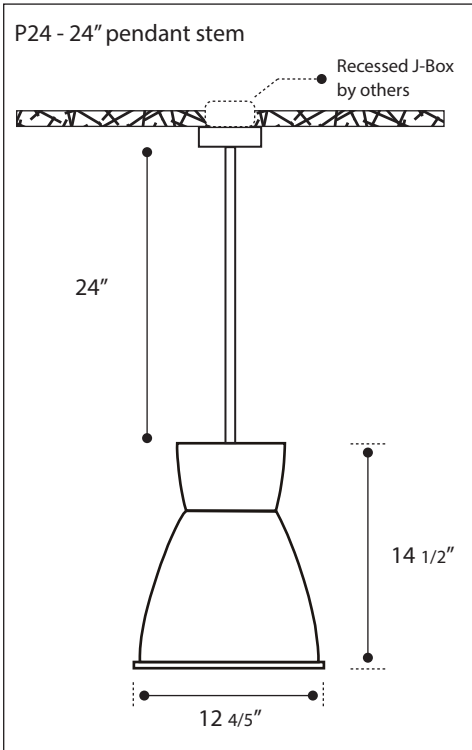
Mounting	Lens	Light Pattern	Options	Finishes
P24 24" pendant stem	OB Open bottom (Std)	D Down light	DM 0-10V dimming	Standard
				BL Black
3AC36 3X36" aircraft cables	OPL Opal polycarbonate lens	UD Up and down light	DM1 1% dimming	WH White
	PR Prismatic lens (K12)		DC Dust cover	SG Silver Grey
			EM Emergency battery	BZ Bronze
			SF Single fuse	Custom
			703-C Colored acrylic bars	CC Custom Color
				See website for custom colors. Contact factory for physical samples.
				BA4 Brushed Aluminum

- Lumens are based on max wattage & 5000K CCT
- IES files available upon request
- Std - Standard Offering



Dimensions & Mounting:

Please note that drawings are not to scale.



Listing:

Complies to CSA and UL standards.

Polar Graph:

