



Date
Quote #
Project Name
Type



## SP16-22 - Pendant

### Description:

SP consists of a cast aluminum driver housing and brushed aluminum reflector, which is available in 3 sizes. All external hardware is stainless steel.

Name  - Engine  - Lumens  - CCT  - Electrical  - Mounting  - Lens  - Pattern  - Options  - Finish

Name	Light Engine	Source Lumens <sub>(LED)(5000K)</sub>	Color Temp	Electrical
SP-16	16 72 LED (Max)	8650	2700K	UNV 120-277V
SP-18	18 120 LED (Max)	14416	3000K	HLV 347-480V
SP-22	22 144 LED (Max)	17300	3500K 4000K 5000K	

Contact for custom

Contact for custom

Contact for custom

Mounting	Lens	Light Pattern	Options	Finishes
3C 3' electrical cord with hook	BAR Brushed aluminum reflector (Std)	D Down light	SF Single fuse	Standard
			RB Remote ballast/driver	BL Black
			WG Wire guard	WH White
			ELB Electronic HID ballast	SG Silver Grey
			AEL Quartz restrike	BZ Bronze
			SV Swivel canopy	Custom
			SC Safety chain	CC Custom Color
			EM Emergency battery	See website for custom colors. Contact factory for physical samples.

• Lumens are based on max wattage & 5000K CCT

• IES files available upon request

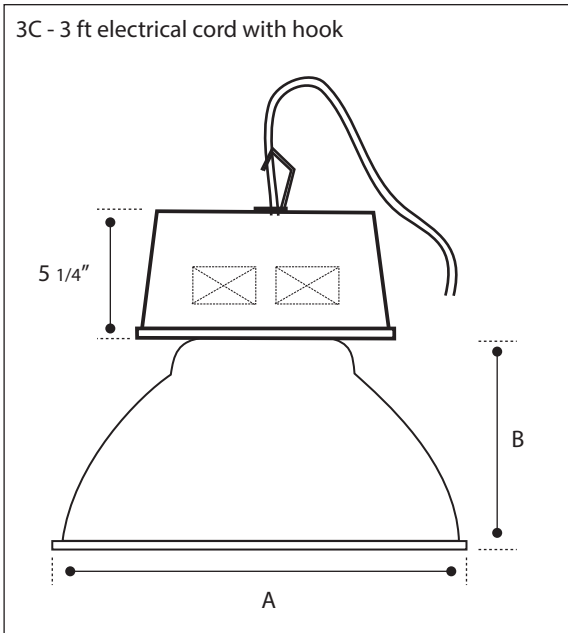
• Std - Standard Offering





**Dimensions & Mounting:**

Please note that drawings are not to scale.



	A	B
SPSB-16	16"	10 1/4"
SPSB-18	18"	12"
SPSB-22	22"	12"

**Listing:**

Complies to CSA and UL standards.

**Polar Graph:**

