

Date:

Type:

Project:



SOX-BLD BOLLARD

The bollard version of the SOX Light Column. Made from extruded aluminum that looks like an inverted “L” giving a very simple & sleek look. The head assembly has clear lens with light emitting directly downwards. Standard bollard height is 40” high. Double head assembly is a customizable option. Check the Pole Version under Exterior Light Column.

Name	Lamping*	Lumens*	Color Temp	Electrical		Mounting	
SOX-BLD	29 W LED (max)	3386	5000K 4000K 3500K 3000K	UNV HLV	120-277V 347-480V	ABT	Anchors, bolts, & template
Contact for custom options		Contact for other wattages			Contact for other mounting types		

Lens		Light Pattern		Options		Finishes	
CL	Clear lens (Std)	TY2	Type II distribution (Std)	TP	Tamperproof Hardware	BL	Black
		TY3	Type III distribution	TS	Tamperproof Screws	WH	White
		TY4	Type IV distribution	BC	Base cover	SG	Silver Grey
				GFR	Ground fault receptacle	BZ	Bronze
		PC	Button photocell, Voltage specific				
		2XSOX	Double head assembly, contact Solera	CC	Custom Color		

[See finishes info on website](#)

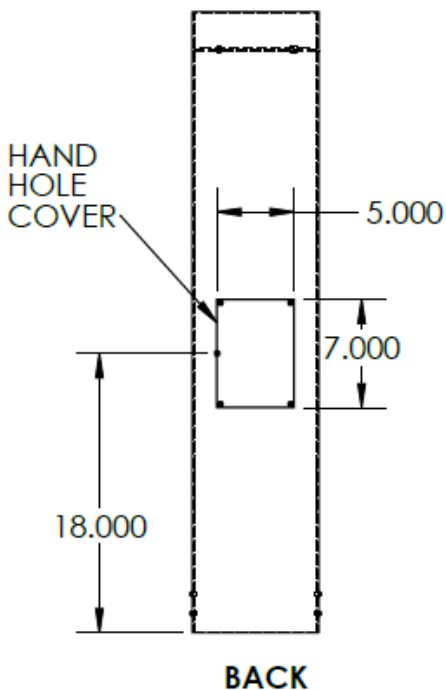
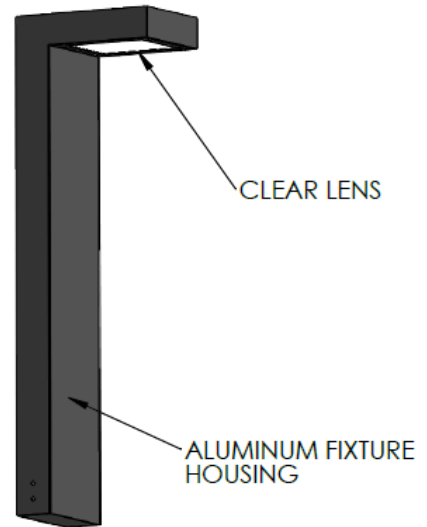
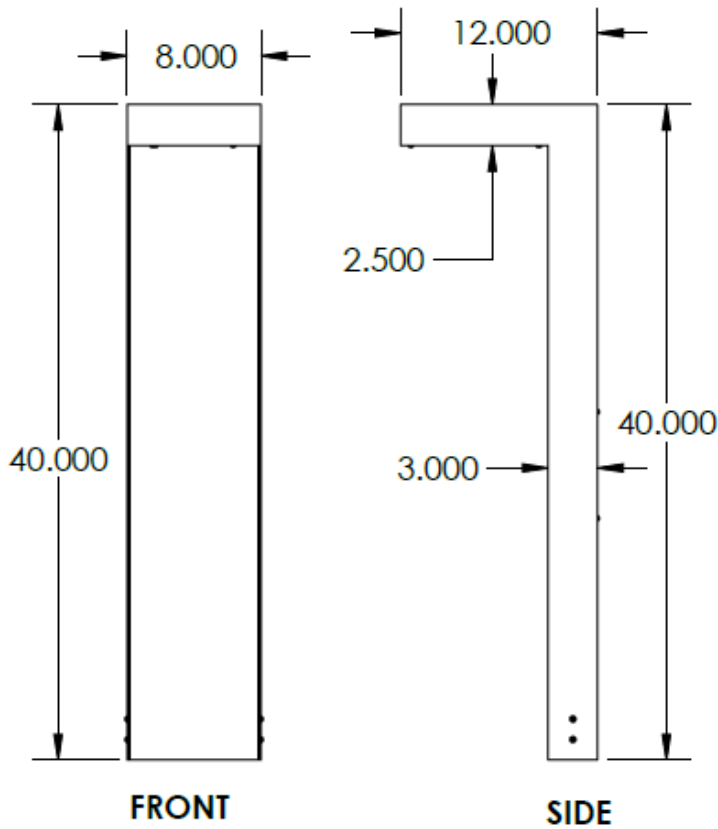
*Lumens are based on Max Wattage and 5000K CCT
 *Specific IES Files available upon request
 Std – Standard Offering

SOX-BLD- _____ - _____ - _____ - _____ - _____ - _____ - _____ - _____

Customization Notes:

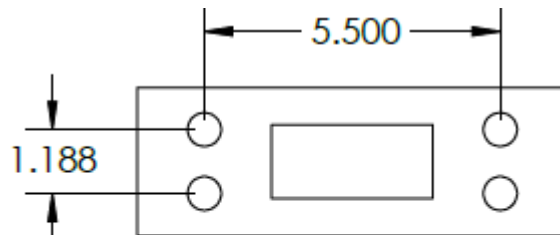
▶▶▶ Info on this spec sheet will change without notice as product development is an ongoing process.

Dimensions & Mounting (measurements in inches; drawings are not to scale)



Anchoring Details

(measurements in inches; drawings are not to scale)



Anchorbolt Size: 1/2" X 12" X 1-3/8"

- Hot dipped Galvanized anchor bolts
- Galvanized steel hex nuts
- Galvanized steel flat washers

