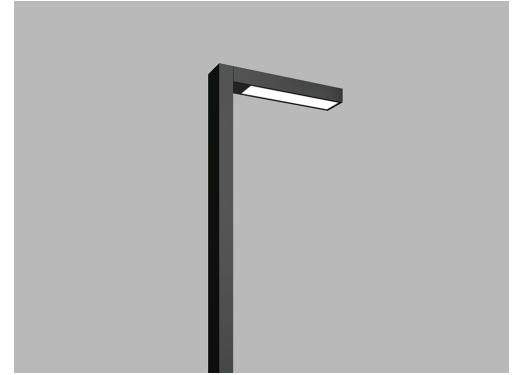




Date
Quote #
Project Name
Type



## SOX - Light Column

### Description:

Luminaire and pole are constructed of extruded aluminum. Lens is silicone sealed to the door frame, all connections are fully gasketed for weather protection.

Name	Engine	Lumens	CCT	Electrical	Mounting	Lens	Pattern	Options	Finish
<input type="text"/>	<input type="text"/>	<input type="text"/>	<input type="text"/>	<input type="text"/>	<input type="text"/>	<input type="text"/>	<input type="text"/>	<input type="text"/>	<input type="text"/>

Name	Light Engine	Source Lumens <sub>(LED)(5000K)</sub>	Color Temp	Electrical
SOX	90 LED (Max)	11700	3000K	UNV 120-277V
			3500K	HLV 347-480V
			4000K	
			5000K	

Contact for custom

Contact for custom

Contact for custom

Mounting		Lens		Light Pattern		Options		Finishes	
ABT	Anchor, bolts, and template	CG	Clear glass lens (Std)	TY3	Type III (Std)	SD	Step dimming	Standard	
		PG	Prismatic glass lens			MS	Motion sensor	BL	Black
						SF	Single fuse	WH	White
						TCO	Trespass cut off	SG	Silver Grey
						TP	Tamperproof hardware	BZ	Bronze
						TS	Tamperproof screws	Custom	
						PC	Bottom photocell	CC	Custom Color
						GFI	Ground fault interrupter	See website for custom colors. Contact factory for physical samples.	
						PCR	Photocell receptacle		

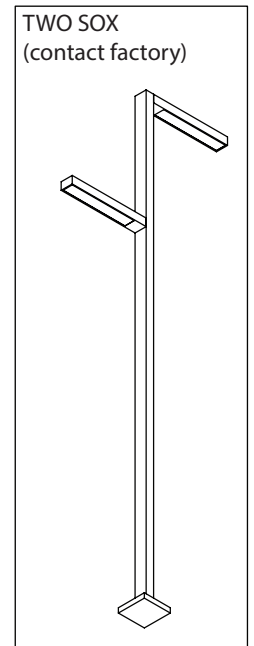
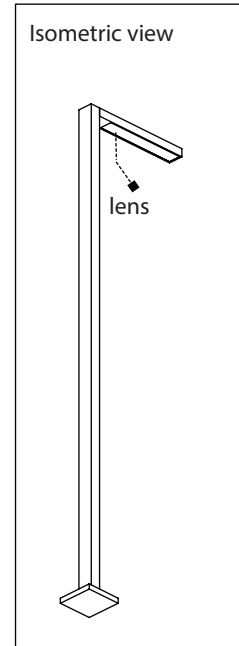
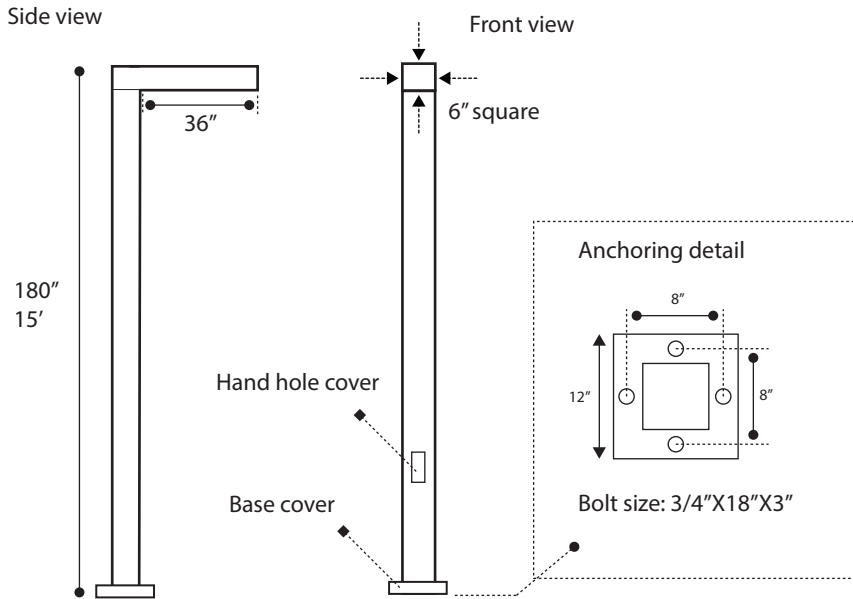
- Lumens are based on max wattage & 5000K CCT
- IES files available upon request
- Std - Standard Offering





**Dimensions & Mounting:**

Please note that drawings are not to scale.



**Listing:**

Complies to CSA and UL standards.

**Polar Graph:**

