



Date
Quote #
Project Name
Type



SOL - Pole Mount

Description:

SOL is a circular pole mount constructed of aluminum with an additional compartment on top to dissipate heat. All external hardware is stainless steel.

Name - Engine - Lumens - CCT - Electrical - Mounting - Lens - Pattern - Options - Finish

Name	Light Engine	Source Lumens _{(LED)(5000K)}	Color Temp	Electrical
SOL	144W LED (Max)	16227	3000K	UNV 120-277V
			3500K	HLV 347-480V
			4000K	
			5000K	

Contact for custom Contact for custom Contact for custom

Mounting	Lens	Light Pattern	Options	Finishes
ADJ-PT3 Adjustable slip fitter for 3" pole	CPL Clear polycarbonate lens (Std)	TY5 Type V (Std)	SD Step dimming	Standard
ST-6 6" straight aluminum arm	PG Prismatic glass lens	TY4 Type IV	MS Motion sensor	BL Black
			TP Tamperproof hardware	WH White
SPD Spider pole slip fitter		TY3 Type III	TS Tamperproof screws	SG Silver Grey
				BZ Bronze
PT4 Post top slips over 4" pole		TY2 Type II	PC Bottom photocell	Custom
				GFI Ground fault interrupter
P36 36" pendant stem			PCR Photocell receptacle	See website for custom colors. Contact factory for physical samples.
			TCO Trespass cut off	

For better illustration on mounting see (page 2)

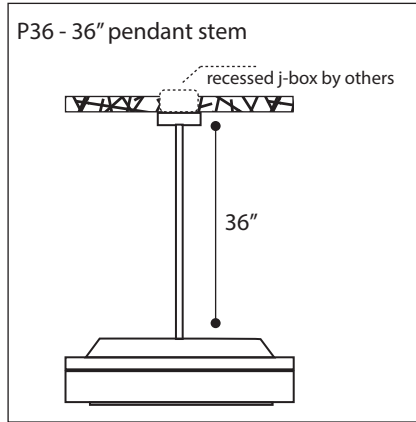
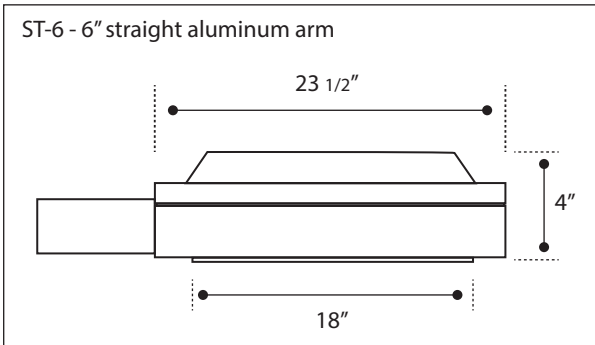
- Lumens are based on max wattage & 5000K CCT
- IES files available upon request
- Std - Standard Offering



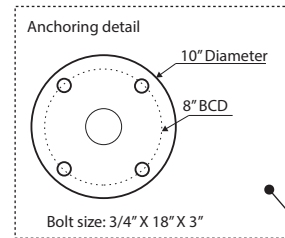
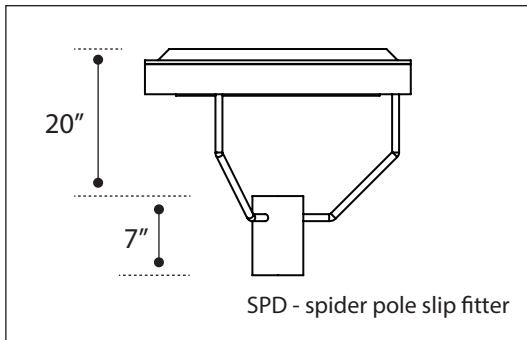
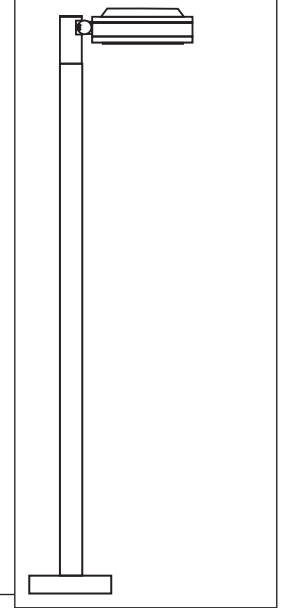


Dimensions & Mounting:

Please note that drawings are not to scale.



ADJ-PT3 - adjustable slip fitter for 3" pole

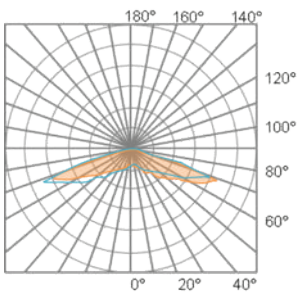


Listing:

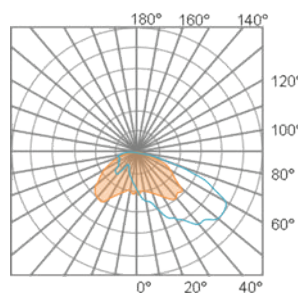
Complies to CSA and UL standards.

Polar Graph:

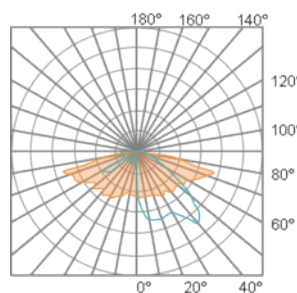
TY5



TY4



TY3



TY2

