



Date
Quote #
Project Name
Type



SMPT - Post Top

Description:

Standard post top consists of a aluminum top cap, cast aluminum driver casing and prismatic lens.
 SMPT-DTC consists of a spun aluminum hood.

Name - Engine - Lumens - CCT - Electrical - Mounting - Lens - Pattern - Options - Finish

Name	Light Engine	Source Lumens _{(LED)(5000K)}	Color Temp	Electrical
SMPT	60W LED (Max)	7800	3000K	UNV 120-277V
SMPT-DTC			3500K 4000K 5000K	HLV 347-480V

For better illustration on variations see {page}

Contact for custom

Contact for custom

Contact for custom

Mounting		Lens		Light Pattern		Options		Finishes	
PT3	Post top slips over 3" pole	PR	Prismatic lens (K12)	TY5	Type V (Std)	SD	Step dimming	Standard	
PT4	Post top slips over 4" pole			TY3	Type III	MS	Motion sensor	BL	Black
						TP	Tamperproof hardware	WH	White
						TS	Tamperproof screws	SG	Silver Grey
						PC	Bottom photocell	BZ	Bronze
								Bronze	
						GFI	Ground fault interrupter	CC	Custom Color
						PCR	Photocell receptacle		See website for custom colors. Contact factory for physical samples.
						TCO	Trespass cut off		

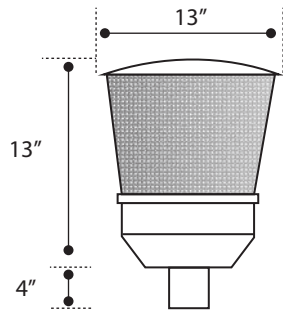
- Lumens are based on max wattage & 5000K CCT
- IES files available upon request
- Std - Standard Offering



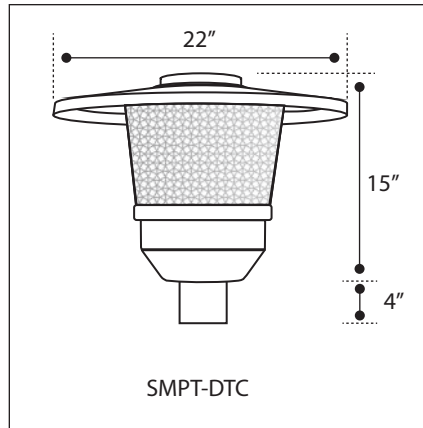


Dimensions & Mounting:

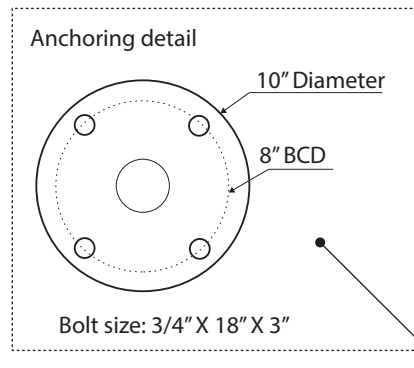
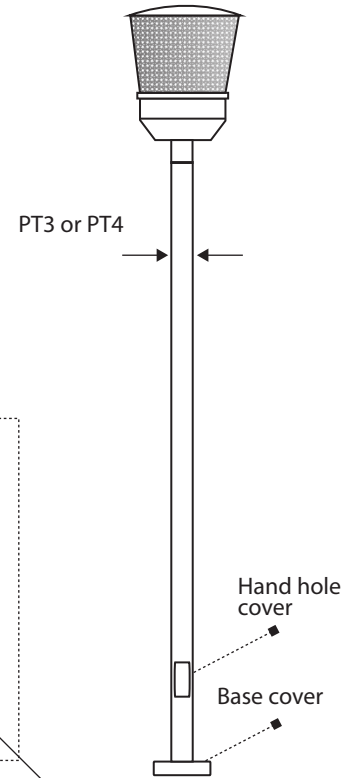
Please note that drawings are not to scale.



SMPT



SMPT-DTC



Listing:

Complies to CSA and UL standards.

Polar Graph:

