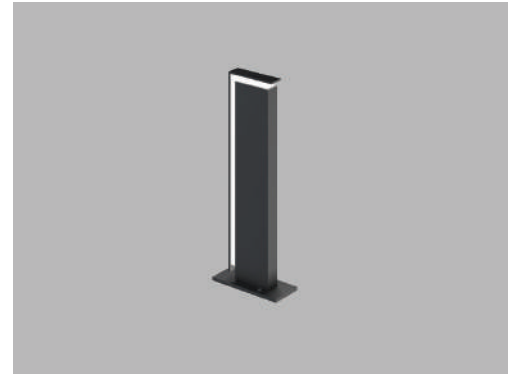




Date
Quote #
Project Name
Type



SL-AL - Bollard

Description:

SL-AL is made from fabricated aluminum. Opal acrylic lens is standard. Lens is silicone sealed and fully gasketed. All external hardware is stainless steel.

Name - Engine - Lumens - CCT - Electrical - Mounting - Lens - Pattern - Options - Finish

Name	Light Engine	Source Lumens _{(LED)(5000K)}	Color Temp	Electrical
SL-AL	12 LED (Max)	2112	3000K	UNV 120-277V
			3500K	HLV 347-480V
			4000K	
			5000K	

Contact for custom

Contact for custom

Contact for custom

Mounting		Lens		Light Pattern		Options		Finishes	
ABT	Anchors, bolts and template	OAL	Opal acrylic lens (Std)	TY5	Type V(Std)	MS	Motion sensor	Standard	
DB	Direct burial	FL	Frosted lens			SD	Step dimming	BL	Black
		CGA	Color glow acrylic lens			TP	Tamperproof hardware	WH	White
						TS	Tamperproof screws	SG	Silver Grey
						PC	Button photocell	BZ	Bronze
								Bronze	
								CC	Custom Color
									See website for custom colors. Contact factory for physical samples.
								SS	Stainless Steel

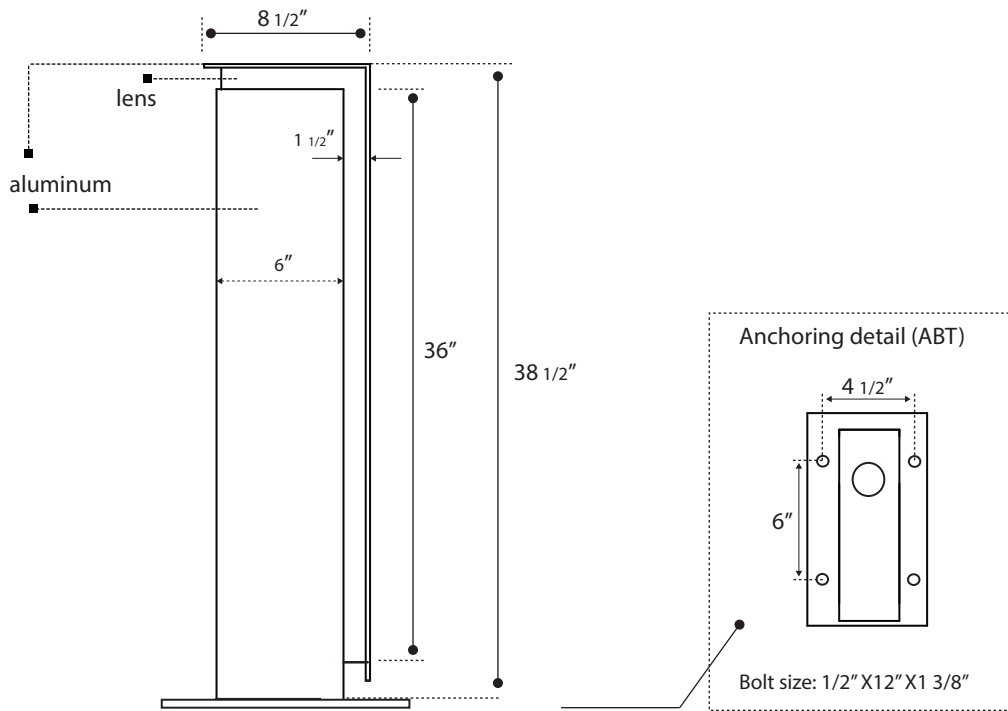
- Lumens are based on max wattage & 5000K CCT
- IES files available upon request
- Std - Standard Offering





Dimensions & Mounting:

Please note that drawings are not to scale.



Listing:

Complies to CSA and UL standards.

Polar Graph:

