



|              |
|--------------|
| Date         |
| Quote #      |
| Project Name |
| Type         |



## SKYLINE - Pendant

### Description:

SKYLINE is made from fabricated aluminum with a continuously welded seam. Number of lamps per run and the size of each run is customizable. Each lamp compartment is adjustable for a spot lighting effect.

Name  - Engine  - Lumens  - CCT  - Electrical  - Mounting  - Lens  - Pattern  - Options  - Finish

| Name        | Light Engine         | Source Lumens <sub>(LED)(5000K)</sub> | Color Temp         | Electrical   |
|-------------|----------------------|---------------------------------------|--------------------|--------------|
| SKYLINE-904 | 904 4X7W LED (Max)   | 878 each<br>2634 total                | 2700K              | UNV 120-277V |
|             |                      |                                       | 3000K              | HLV 347-480V |
|             |                      |                                       | 3500K              |              |
| SKYLINE-918 | 918 18X28W LED (Max) | 3484 each<br>62712 total              | 4000K              |              |
|             |                      |                                       | 5000K              |              |
|             |                      |                                       | Contact for custom |              |

| Mounting | Lens                           | Light Pattern | Options       | Finishes |            |     |               |          |  |
|----------|--------------------------------|---------------|---------------|----------|------------|-----|---------------|----------|--|
| AC       | Suspended with aircraft cables | NA            | Not available | D        | Down light | DM  | 0-10V dimming | Standard |  |
| R        | Recessed in dry ceiling        |               |               |          |            | DM1 | 1% dimming    | BL       | Black  |
|          |                                |               |               |          |            | WH  | White         |          |  |
|          |                                |               |               |          |            | SG  | Silver Grey   |          |  |
|          |                                |               |               |          |            | BZ  | Bronze        |          |  |
|          |                                |               |               |          |            |     |               | Custom   |  |
|          |                                |               |               |          |            |     |               | CC       | Custom Color   |
|          |                                |               |               |          |            |     |               |          | See website for custom colors. Contact factory for physical samples. |

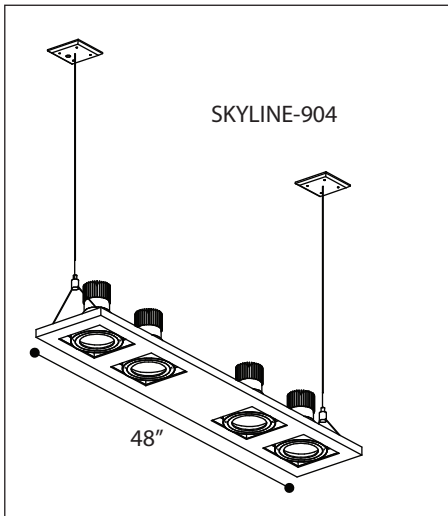
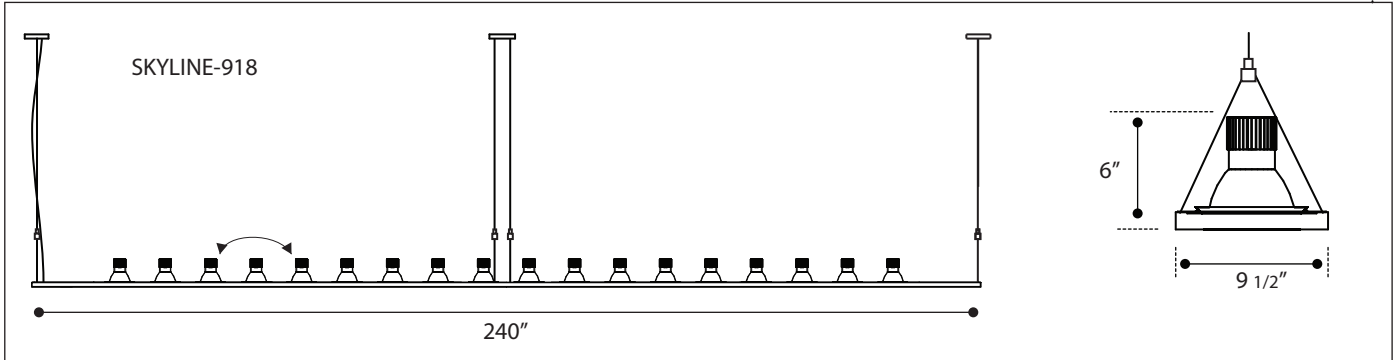
- Lumens are based on max wattage & 5000K CCT
- IES files available upon request
- Std - Standard Offering





**Dimensions & Mounting:**

Please note that drawings are not to scale.



**Listing:**

Complies to CSA and UL standards.

**Polar Graph:**

