



Date
Quote #
Project Name
Type



## SKY - Post Top

### Description:

SKY is a post top that distributes light indirectly as well as asymmetrically.

Name	Engine	Lumens	CCT	Electrical	Mounting	Lens	Pattern	Options	Finish
<input type="text"/>	<input type="text"/>	<input type="text"/>	<input type="text"/>	<input type="text"/>	<input type="text"/>	<input type="text"/>	<input type="text"/>	<input type="text"/>	<input type="text"/>

Name	Light Engine	Source Lumens(LED)	Color Temp	Electrical
SKY	60W LED (Max)	7800	3000K	UNV 120-277V
			3500K	HLV 347-480V
			4000K	
			5000K	

Contact for custom

Contact for custom

Contact for custom

Mounting	Lens	Light Pattern	Options	Finishes
PT3 Post top slips over 3" dia pole	CG Clear glass lens (Std)	ASM Asymmetric	SD Step dimming	Standard
				BL Black
PT4 Post top slips over 4" dia pole	CAL Clear acrylic lens		MS Motion sensor	WH White
			TCO Trespass cut off	SG Silver Grey
WM Wall mount			PC Button photocell	BZ Bronze
			SF Single fuse	
			TP Tamperproof hardware	Custom
			TS Tamperproof screws	CC Custom Color
				See website for custom colors. Contact factory for physical samples.

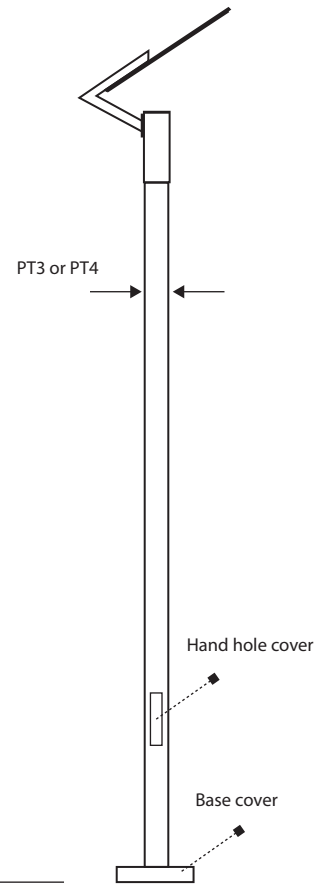
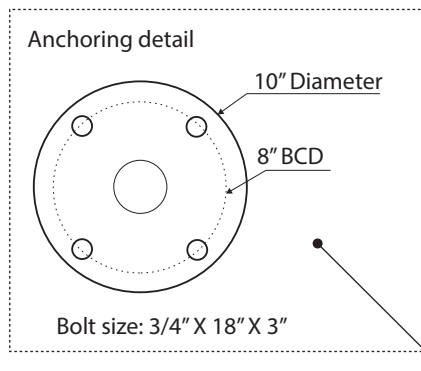
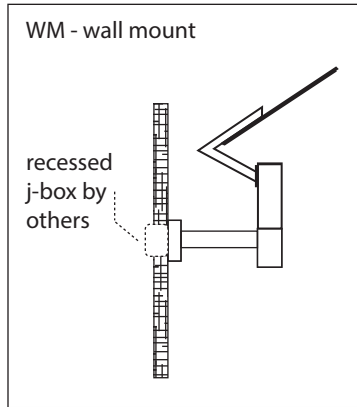
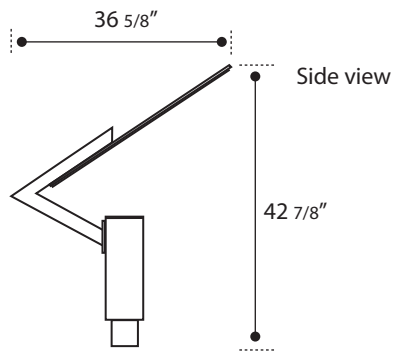
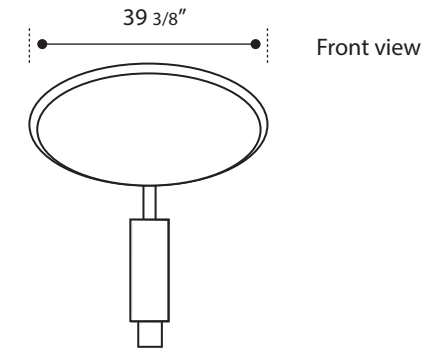
- Lumens are based on max wattage & 5000K CCT
- IES files available upon request
- Std - Standard Offering





**Dimensions & Mounting:**

Please note that drawings are not to scale.



**Listing:**

Complies to CSA and UL standards.

**Polar Graph:**

