



Date
Quote #
Project Name
Type



SINR - Wall Mount

Description:

Housing is made of die-cast aluminum with vandal proof lens. The lens is silicone sealed to for full weather protection. Suitable for Dark Sky applications.

Name	Engine	Lumens	CCT	Electrical	Mounting	Lens	Pattern	Options	Finish
<input type="text"/>	<input type="text"/>	<input type="text"/>	<input type="text"/>	<input type="text"/>	<input type="text"/>	<input type="text"/>	<input type="text"/>	<input type="text"/>	<input type="text"/>

Name	Light Engine	Source Lumens _{(LED)(5000K)}	Color Temp	Electrical
SINR	144W LED (Max)	16227	3000K	UNV 120-277V
			3500K	HLV 347-480V
			4000K	
			5000K	

Mounting		Lens		Light Pattern		Options		Finishes	
WM	Wall Mount	CPL	Clear polycarbonate lens (Std)	Contact for custom		WL	Wet location	Standard	
				TY5	Type V (Std)			BL	Black
		TY4	Type IV			TP	Tamperproof hardware	WH	White
				TY3	Type III			TS	Tamperproof screws
		TYII	Type II			PC	Button photocell		
				Contact for custom				EM	Emergency battery
Contact for custom		RB	Remote ballast/driver	CC	Custom Color				
Contact for custom				DCO	Dark sky cutoff	See website for custom colors. Contact factory for physical samples.			
Contact for custom		SF	Single Fuse						

- Lumens are based on max wattage & 5000K CCT
- IES files available upon request
- Std - Standard Offering

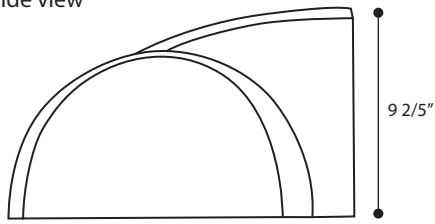




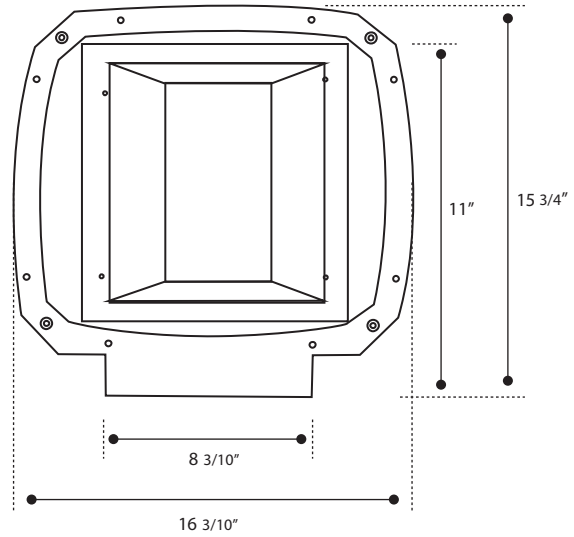
Dimensions & Mounting:

Please note that drawings are not to scale.

Side view



Bottom view

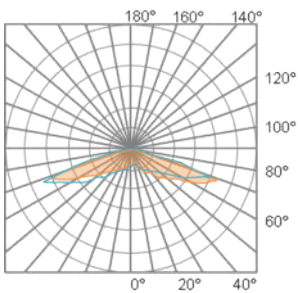


Listing:

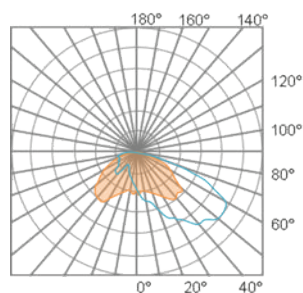
Complies to CSA and UL standards.

Polar Graph:

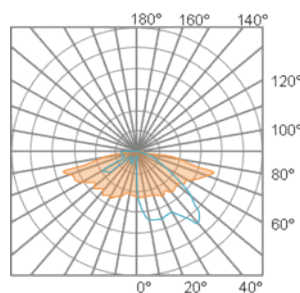
TY5



TY4



TY3



TY2

