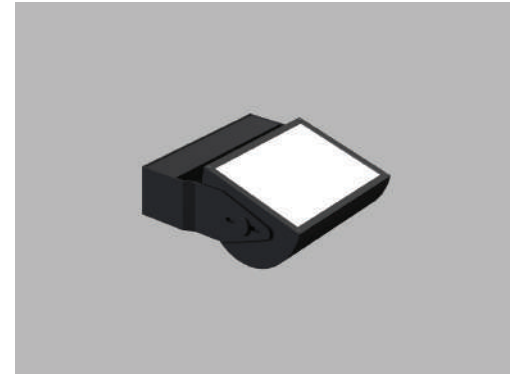




Date
Quote #
Project Name
Type



SIAC - Wall Mount

Description:

SIAC constructed of a fabricated aluminum semi-cylinder, with continuously welded corners. The lamp compartment is adjustable to provide directional light.

Name	Engine	Lumens	CCT	Electrical	Mounting	Lens	Pattern	Options	Finish
<input type="text"/>	<input type="text"/>	<input type="text"/>	<input type="text"/>	<input type="text"/>	<input type="text"/>	<input type="text"/>	<input type="text"/>	<input type="text"/>	<input type="text"/>

Name	Light Engine	Source Lumens _{(LED)(5000K)}	Color Temp	Electrical
SIAC-1000	1000 36W LED (Max)	4680	2700K	UNV 120-277V
SIAC-2000	2000 60W LED (Max)	7800	3000K	HLV 347-480V
SIAC-2500	2500 108W LED (Max)	14040	3500K	
SIAC-3000	3000 144W LED (Max)	18720	4000K	
			5000K	
	Contact for custom	Contact for custom	Contact for custom	

Mounting	Lens	Light Pattern	Options	Finishes
WM Wall mount	CPL Clear polycarbonate lens (Std)	INU Indirect up light	WL Wet location	Standard BL Black
YM Yoke mount	CG Clear glass lens		DM 0-10V dimming	WH White
2P48 2X48" pendant stem for (2 SIACs)	FG Frosted glass lens		RB Remote ballast/driver	SG Silver Grey
	PR Prismatic lens (K12)		EM Emergency battery	BZ Bronze
ADJ-SF Adjustable arm slip fitter for pole			VS Visor cutoff	NAT Natatorium finish
			SV Swivel canopy	Custom CC Custom Color
			WG Wing reflector	See website for custom colors. Contact factory for physical samples.

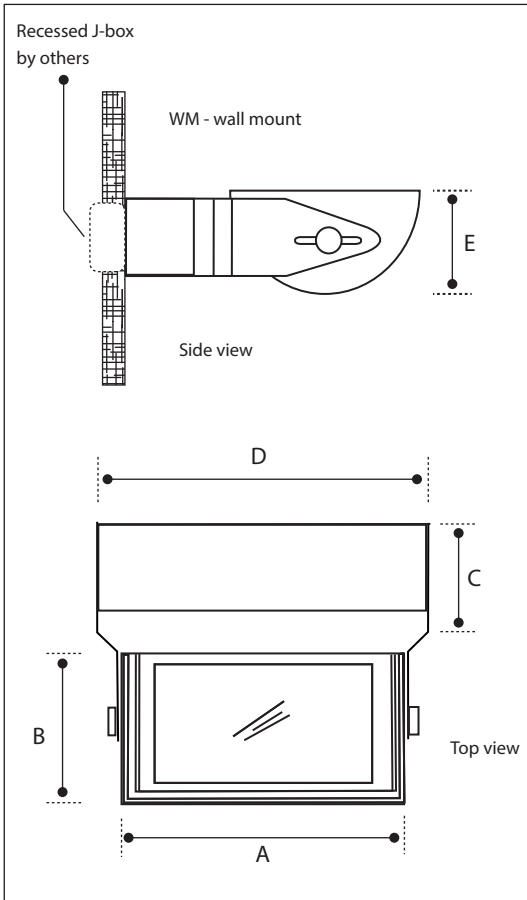
- Lumens are based on max wattage & 5000K CCT
- IES files available upon request
- Std - Standard Offering



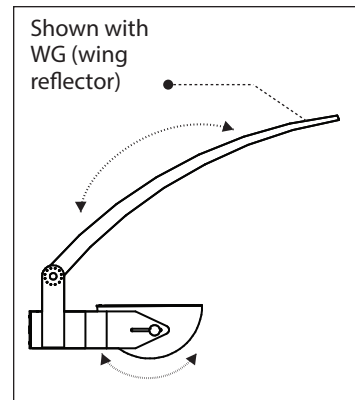
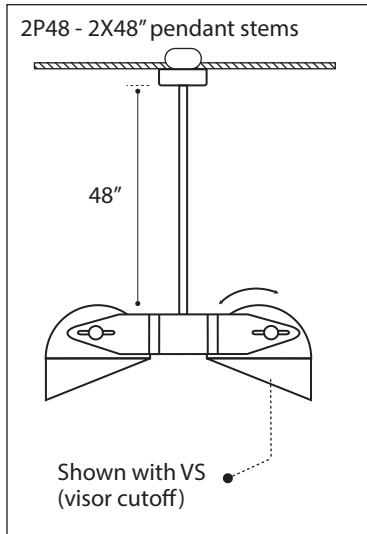
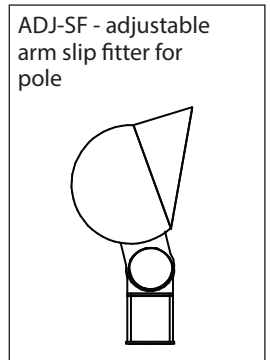


Dimensions & Mounting:

Please note that drawings are not to scale.



	A	B	C	D	E
SIAC-1000	12"	5 1/2"	7"	13 1/2"	4"
SIAC-2000	15"	5 1/2"	7"	16 1/2"	4"
SIAC-2500	18"	5 1/2"	12"	19 1/2"	7"
SIAC-3000	25"	5 1/2"	12"	26 1/2"	7"



Listing:

Complies to CSA and UL standards.

Polar Graph:

