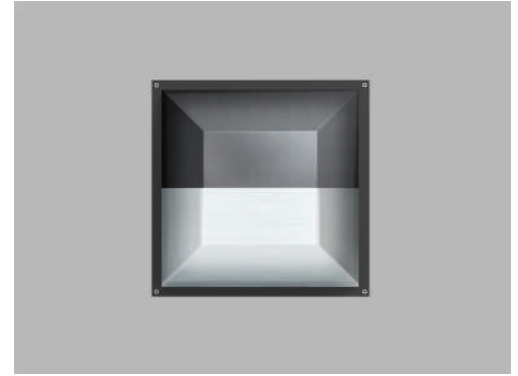




Date
Quote #
Project Name
Type



SFPW - Wall Mount

Description:

Constructed of die cast aluminum where lens is secured with stainless steel hardware. Recessed options available.

Name - Engine - Lumens - CCT - Electrical - Mounting - Lens - Pattern - Options - Finish

Name	Light Engine	Source Lumens _{(LED)(5000K)}	Color Temp	Electrical
SFPW	48W LED (Max)	6240	3000K	UNV 120-277V
			3500K	HLV 347-480V
			4000K	
			5000K	

Mounting		Lens		Light Pattern		Options		Finishes	
WM	Wall mount	LP	Linear prism lens (Std)	FT	Forward throw	TP	Tamperproof hardware	Standard	
RTC	Recessed in concrete					TS	Tamperproof screws	BL	Black
R	Recessed in dry wall					EM	Emergency battery	WH	White
						WL	Wet location	SG	Silver Grey
						SF	Single fuse	BZ	Bronze
								Custom	
								CC	Custom Color

See website for custom colors. Contact factory for physical samples.

- Lumens are based on max wattage & 5000K CCT
- IES files available upon request
- Std - Standard Offering

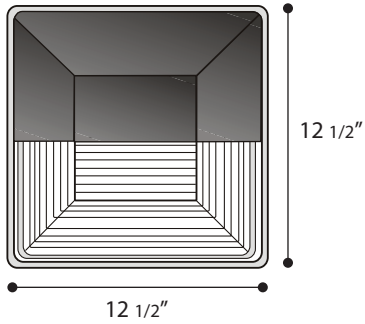




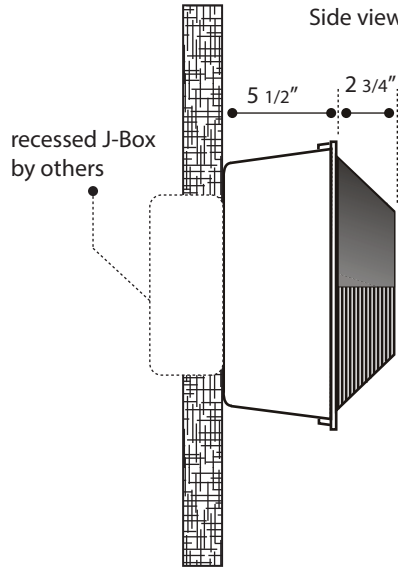
Dimensions & Mounting:

Please note that drawings are not to scale.

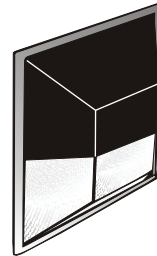
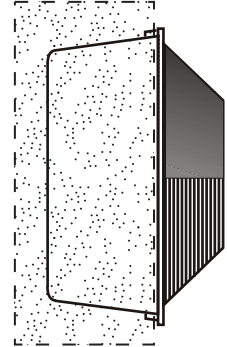
Front view



Side view



Recessed version



Isometric view

Listing:

Complies to CSA and UL standards.

Polar Graph:

