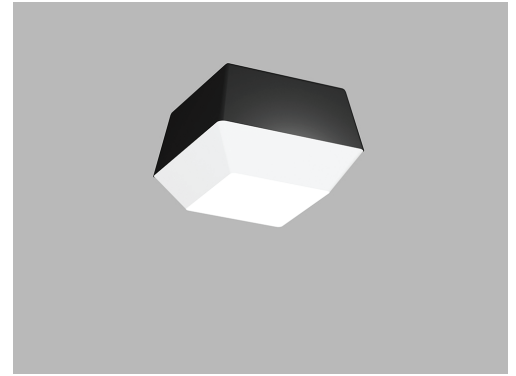




Date
Quote #
Project Name
Type



SFPC

Description:

Constructed of cast aluminum with several lens selections such as a linear prism lens, prismatic glass lens, or K12. All external hardware is stainless steel.

Name - Engine - Lumens - CCT - Electrical - Mounting - Lens - Pattern - Options - Finish

Name	Light Engine	Source Lumens _{(LED)(5000K)}	Color Temp	Electrical
SFPC	48W LED (Max)	5695	3000K	UNV 120-277V
			3500K	HLV 347-480V
			4000K	TT Tri-Tap(HID)
			5000K	MT Multi-Tap(HID)

Mounting		Lens		Light Pattern		Options		Finishes	
CM	Ceiling mount	PR	Prismatic lens (K12)	FT	Forward throw	TP	Tamperproof hardware	Standard	
RT	Recessed in T-Bar ceiling (Non-IC)	LPL	Linear prismatic lens			TS	Tamperproof screws	BL	Black
RP	Recessed in plaster ceiling (Non-IC)	PG	Prismatic glass lens			EM	Emergency battery	WH	White
						WL	Wet location	SG	Silver Grey
						SF	Single fuse	BZ	Bronze
								Custom	
								CC	Custom Color
									See website for custom colors. Contact factory for physical samples.

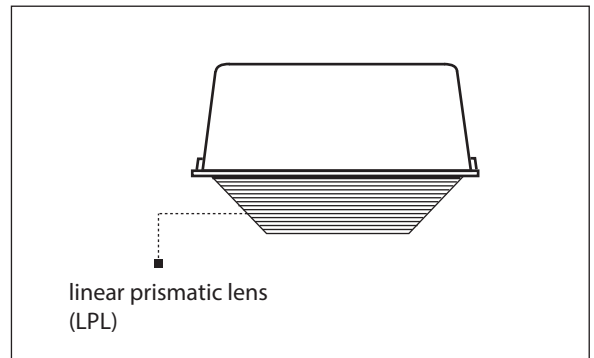
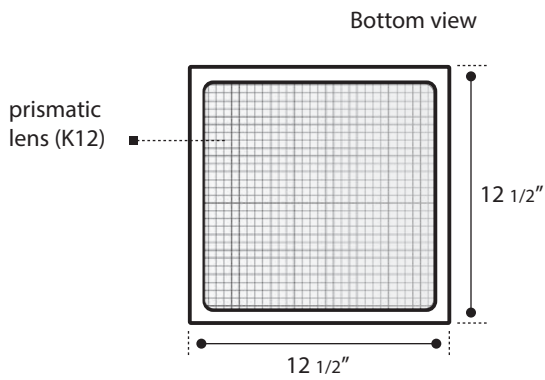
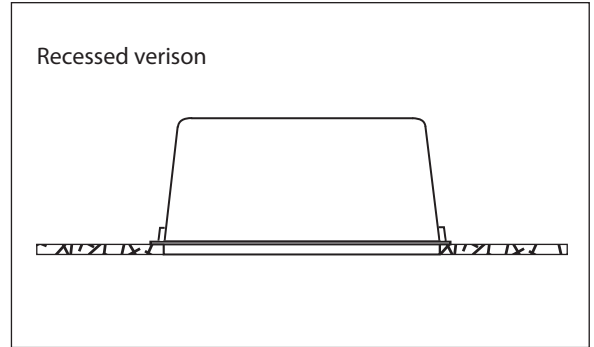
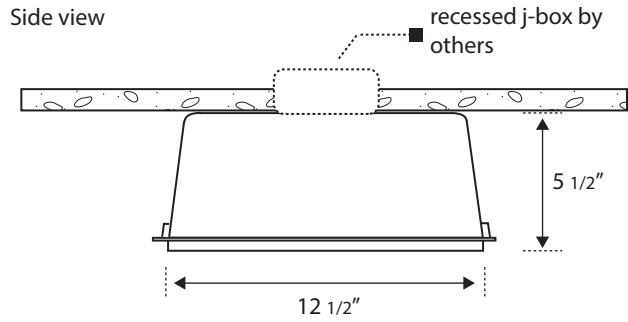
- Lumens are based on max wattage & 5000K CCT
- IES files available upon request
- Std - Standard Offering





Dimensions & Mounting:

Please note that drawings are not to scale.



Listing:

Complies to CSA and UL standards.

Polar Graph:

