



Date
Quote #
Project Name
Type



SELS

Description:

A square luminaire made of fabricated aluminum. A prismatic lens is standard, select between a flat or drop lens.

Name	Engine	Lumens	CCT	Electrical	Mounting	Lens	Pattern	Options	Finish
<input type="text"/>	- <input type="text"/>	- <input type="text"/>	- <input type="text"/>	- <input type="text"/>	- <input type="text"/>	- <input type="text"/>	- <input type="text"/>	- <input type="text"/>	- <input type="text"/>

Name	Light Engine	Source Lumens(LED)	Color Temp	Electrical
SELS-S	60 LED (Max)	7803	2700K	UNV 120-277V
SELS-M	180 LED (Max)		3000K	HLV 347-480V
SELS-L	360 LED (Max)	19819	3500K	
			4000K	
		38778	5000K	
	<i>Contact for custom</i>	<i>Contact for custom</i>	<i>Contact for custom</i>	

Mounting	Lens	Light Pattern	Options	Finishes
CM Ceiling mount	PFL Prismatic flat lens (Std)	D Down light	DM 0-10V dimming	Door frame and aluminum housing for ceiling mount. Door frame only for recessed.
RP Recessed in plaster ceiling (Non-IC)	PDL Prismatic drop lens		DM1 1% dimming	BL Black
RT Recessed in T-Bar ceiling (Non-IC)			EM Emergency battery	WH White SG Silver Grey BZ Bronze CC Custom Color
				See website for custom colors. Contact factory for physical samples.

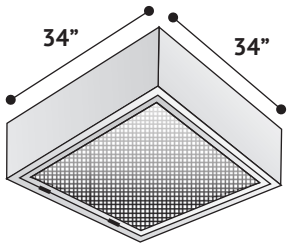
- Lumens are based on max wattage & 5000K CCT
- IES files available upon request
- Std - Standard Offering



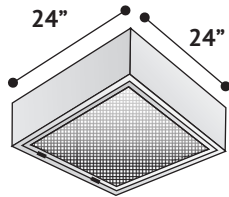


Dimensions & Mounting:

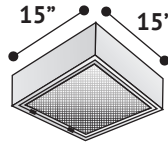
Please note that drawings are not to scale.



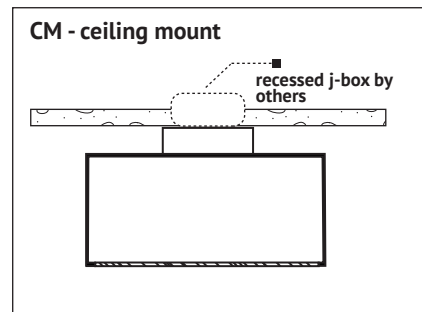
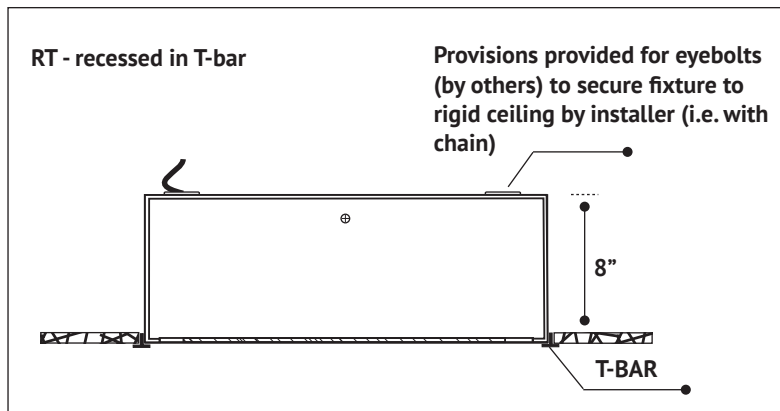
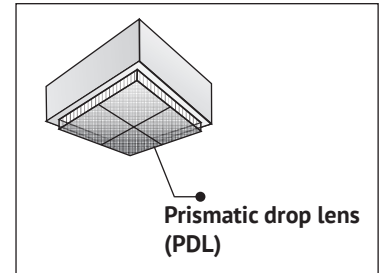
SELS-L



SELS-M



SELS-S



Listing:

Complies to CSA and UL standards.

Polar Graph:

