



Date
Quote #
Project Name
Type

SDID - Ceiling Mount

Description:

SDID consists of a fabricated aluminum housing and trim with an opal acrylic lens (dome). All external hardware is stainless steel.

Name - Engine - Lumens - CCT - Electrical - Mounting - Lens - Pattern - Options - Finish

Name	Light Engine	Source Lumens _{(LED)(5000K)}	Color Temp	Electrical
SDID-18	18 48 LED (Max)	6240	2700K	UNV 120-277V
SDID-24	24 84 LED (Max)	10920	3000K	HLV 347-480V
SDID-32	32 108 LED (Max)	14040	3500K	
			4000K	
			5000K	

Contact for custom

Contact for custom

Contact for custom

Mounting	Lens	Light Pattern	Options	Finishes
CM Ceiling mount	OAL Opal acrylic lens (Std)	D Down light	DM 0-10V dimming	Aluminum framework only Standard
P36 36" pendant stem			DM1 1% dimming	BL Black
CH36 Chain hung 36"			SC Seperate circuit	WH White
			BS Bug shield	SG Silver Grey
			EM Emergency battery	BZ Bronze
				Custom
				CC Custom Color

See website for custom colors.
 Contact factory for physical samples.

- Lumens are based on max wattage & 5000K CCT
- IES files available upon request
- Std - Standard Offering

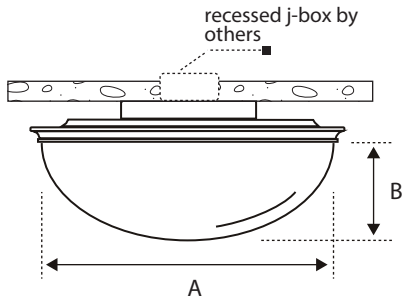




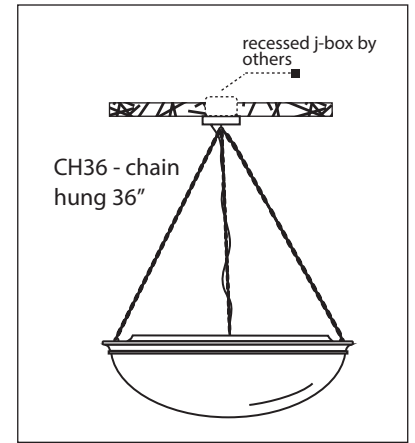
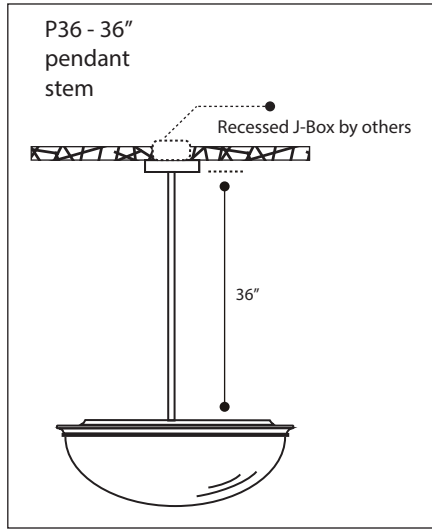
Dimensions & Mounting:

Please note that drawings are not to scale.

CM - ceiling mount



	A	B
SDID-18	18"	7"
SDID-24	24"	9 1/2"
SDID-32	32"	10 1/2"



Listing:

Complies to CSA and UL standards.

Polar Graph:

