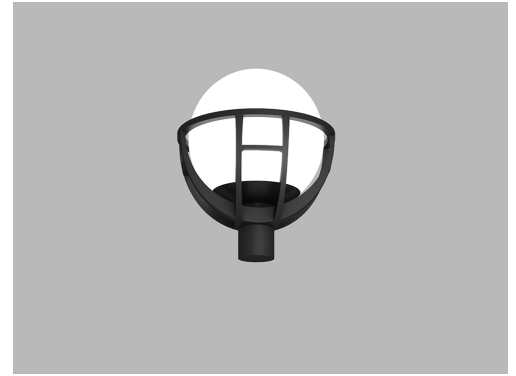




Date
Quote #
Project Name
Type



SCTL - Post Top

Description:

SCTL is constructed of a cast aluminum cage. Globe lens can either be acrylic or polycarbonate. All external hardware is stainless steel.

Name - Engine - Lumens - CCT - Electrical - Mounting - Lens - Pattern - Options - Finish

Name	Light Engine	Source Lumens _{(LED)(5000K)}	Color Temp	Electrical
SCTL-14	14 36 LED (Max)	6336	3000K	UNV 120-277V
SCTL-22	22 60 LED (Max)	10555	3500K 4000K 5000K	HLV 347-480V
	Contact for custom	Contact for custom	Contact for custom	

Mounting	Lens	Light Pattern	Options	Finishes
PT3 Post top slips over 3" dia pole	OAL Opal acrylic lens	TY5 Type V (Std)	SD Step dimming	Cage and base only
PT4 Post top slips over 4" dia pole	OPL Opal polycarbonate lens	TY3 Type III	MS Motion sensor	Standard
CP4 Cluster post top (4 luminaires)			LVR Internal louvers	BL Black
CP3 Cluster post top (3 luminaires)			SF Single fuse	WH White
CP2 Cluster post top (2 luminaires)			TCO Trespass cut off	SG Silver Grey
WM Wall mount			TP Tamperproof hardware	BZ Bronze
PIM Pier mount			TS Tamperproof screws	CC Custom Color
			PC Button photocell	See website for custom colors. Contact factory for physical samples.

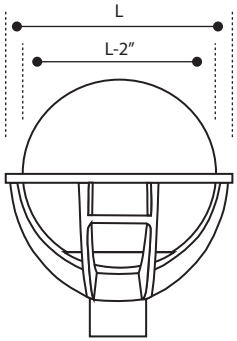
- Lumens are based on max wattage & 5000K CCT
- IES files available upon request
- Std - Standard Offering



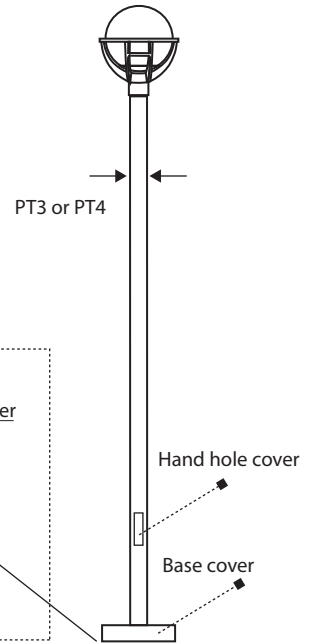
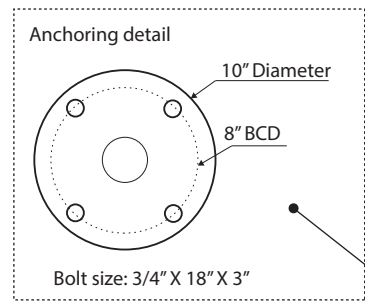
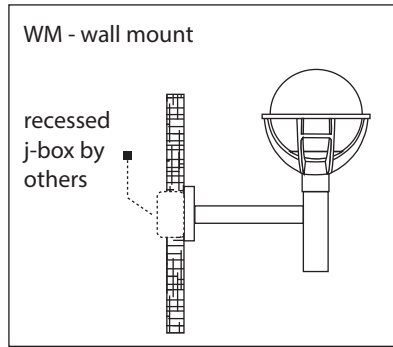
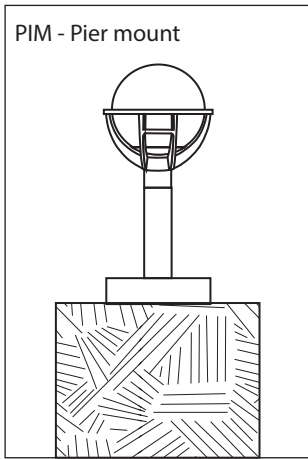
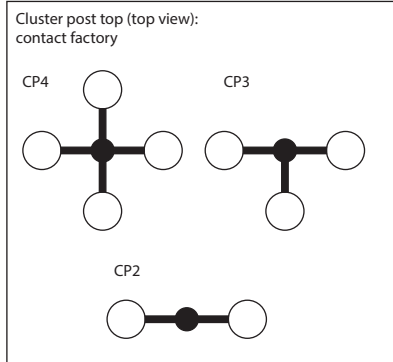


Dimensions & Mounting:

Please note that drawings are not to scale.



	L	L-2"
SCTL-14	14"	12"
SCTL-22	22"	20"



Listing:

Complies to CSA and UL standards.

Polar Graph:

