



Date
Quote #
Project Name
Type



SCSD - Pole mount

Description:

SCSD is constructed of aluminum. Door assembly is hinged to fixture housing for easy access and maintenance.

Name	Engine	Lumens	CCT	Electrical	Mounting	Lens	Pattern	Options	Finish
<input type="text"/>	<input type="text"/>	<input type="text"/>	<input type="text"/>	<input type="text"/>	<input type="text"/>	<input type="text"/>	<input type="text"/>	<input type="text"/>	<input type="text"/>

Name	Light Engine	Source Lumens _{(LED)(5000K)}	Color Temp	Electrical
SCSD	288W LED (Max)	31436	3000K	UNV 120-277V
			3500K	HLV 347-480V
			4000K	
			5000K	

Contact for custom

Contact for custom

Contact for custom

Mounting	Lens	Light Pattern	Options	Finishes	
ER3 Arm for round or square pole	CPL Clear polycarbonate lens (Std)	TY5 Type V (Std)	SD Step dimming	Standard	
			MS Motion sensor	BL Black	
SPD Spider arm slip fitter	CG Clear glass lens	TY4 Type IV	TCO Trespass cut off	WH White	
			PR Prismatic lens (K12)	TY3 Type III	SG Silver Grey
				TYII Type II	EM Emergency battery
			PC Button photocell		
			PCR Photocell receptacle	Custom	
			SF Single fuse	CC Custom Color	
			DF Double fuse	See website for custom colors. Contact factory for physical samples.	

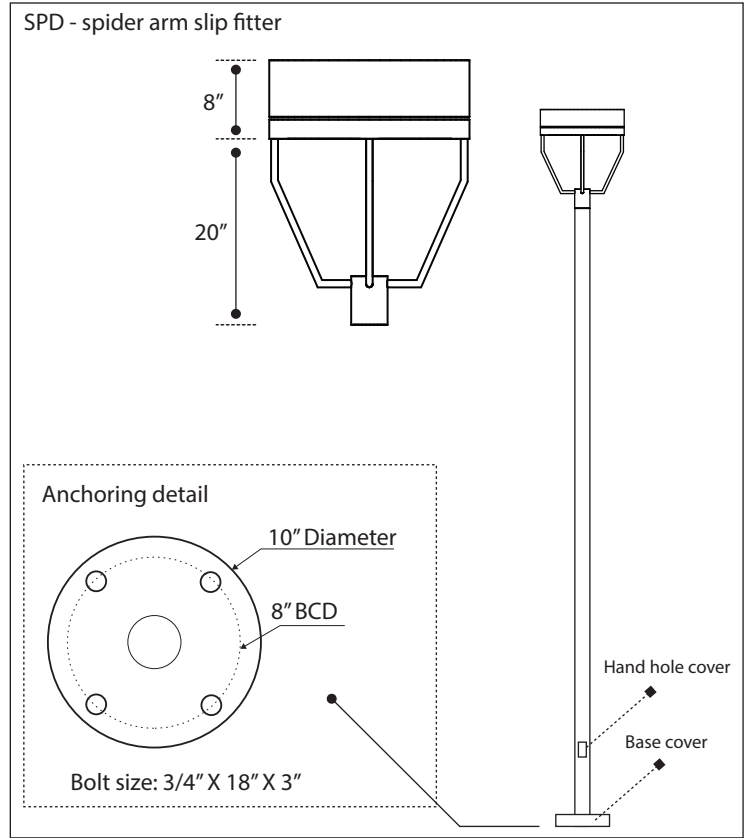
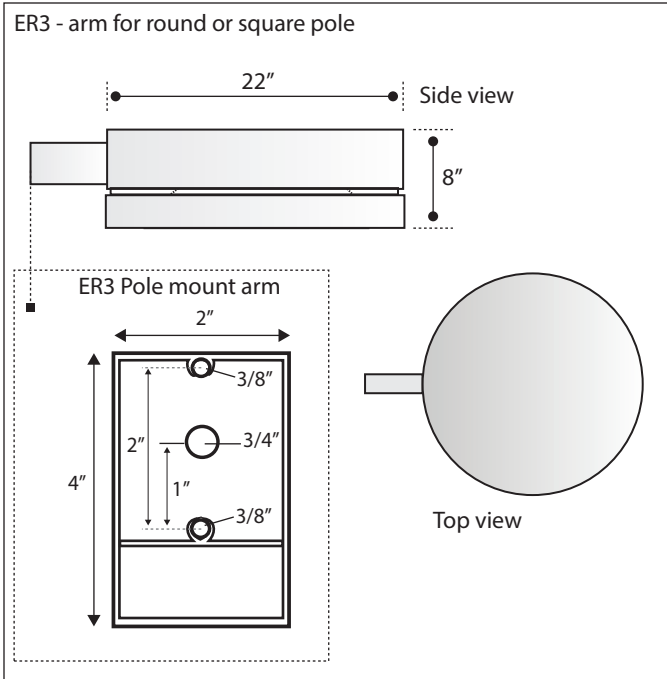
- Lumens are based on max wattage & 5000K CCT
- IES files available upon request
- Std - Standard Offering





Dimensions & Mounting:

Please note that drawings are not to scale.

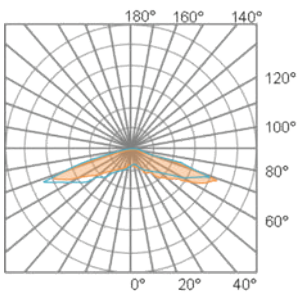


Listing:

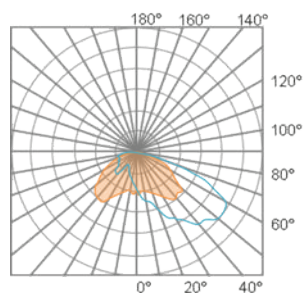
Complies to CSA and UL standards.

Polar Graph:

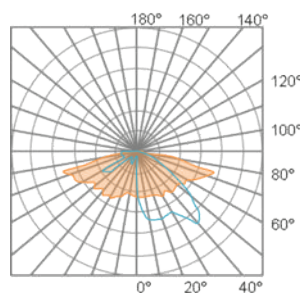
TY5



TY4



TY3



TY2

