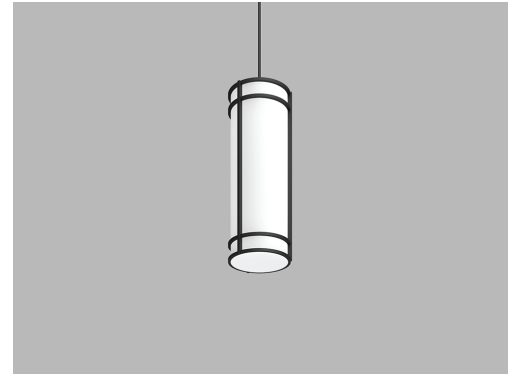




Date
Quote #
Project Name
Type



SC - Pendant

Description:

SC is constructed of an opal acrylic lens (cylindrical) and aluminum framework. All external hardware is stainless steel.

Name - Engine - Lumens - CCT - Electrical - Mounting - Lens - Pattern - Options - Finish

Name	Light Engine	Source Lumens _{(LED)(5000K)}	Color Temp	Electrical
SC	60W LED (Max)	10560	2700K	UNV 120-277V
See variations (page 2)			3000K	HLV 347-480V
			3500K	
			4000K	
			5000K	
Contact for custom		Contact for custom	Contact for custom	

Mounting		Lens		Light Pattern		Options		Finishes	
P36	36" pendant stem (Std)	OAL	Opal acrylic lens	EG	Encompassing glow	DM	0-10V dimming	Aluminum framework only Standard	
AC36	36" aircraft cable			EG+D	Encompassing glow + Down light	DM1	1% dimming	BL	Black
WM	Wall mount					2CC	2 circuit wiring	WH	White
						SF	Single fuse	SG	Silver Grey
						RB	Remote ballast/driver	BZ	Bronze
						EM	Emergency battery	Custom	
						RGBW	Programmable color changing LEDs	CC	Custom Color
								See website for custom colors. Contact factory for physical samples.	

- Lumens are based on max wattage & 5000K CCT
- IES files available upon request
- Std - Standard Offering

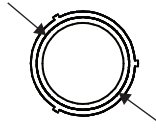
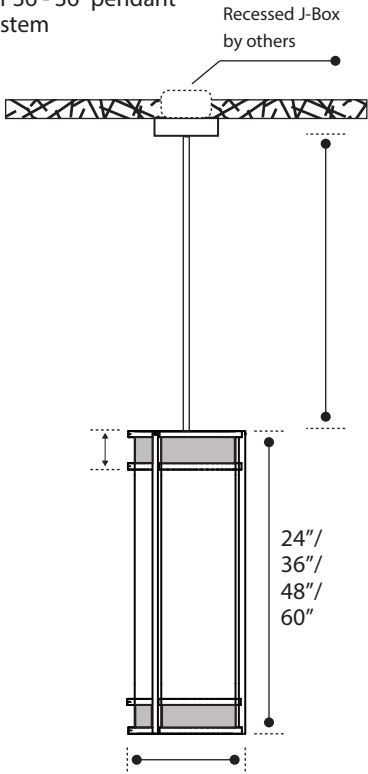




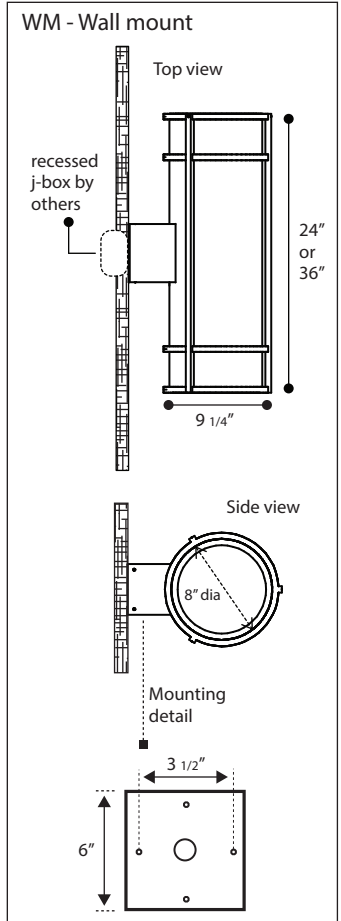
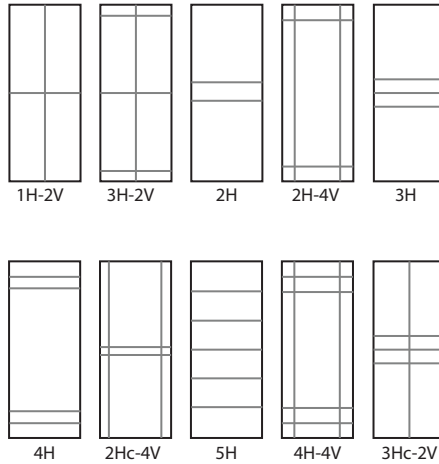
Dimensions & Mounting:

Please note that drawings are not to scale.

P36 - 36" pendant stem



Vertical and horizontal bars customizable (contact factory)



Listing:

Complies to CSA and UL standards.

Polar Graph:

