



Date
Quote #
Project Name
Type



Image shown with SBL-UCO-DA (cut off lens and decorative arms)

## SBL - Post Top

### Description:

Colonial post top with full acorn lens (192) or dark sky cut-off acorn lens (UCO). Optional decorative arms (DA) available.

Name  - Engine  - Lumens  - CCT  - Electrical  - Mounting  - Lens  - Pattern  - Options  - Finish

Name	Light Engine	Source Lumens <sub>(LED)(5000K)</sub>	Color Temp	Electrical
SBL-192	60W LED (Max)	5081	3000K	UNV 120-277V
SBL-192-DA			3500K	HLV 347-480V
SBL-UCO			4000K	
SBL-UCO-DA			5000K	

For better illustration on variations see (page 2)

Contact for custom

Contact for custom

Contact for custom

Mounting		Lens		Light Pattern		Options		Finishes	
PT3	Post top slips over 3" dia pole	PAG	Polycarbonate acorn globe (Std)	TY5	Type V (Std)	SD	Step dimming	Standard	
						MS	Motion sensor	BL	Black
PT4	Post top slips over 4" dia pole	BGL	Borosilicate glass lens	TY3	Type III	PC	Button photocell	WH	White
						SF	Single fuse	SG	Silver Grey
WM	Wall mount					ITC	Illuminated top cap	BZ	Bronze
						TCO	Trespass cut off		
						TP	Tamperproof hardware	Custom	
						TS	Tamperproof screws	CC	Custom Color
						DF	Decorative finial	See website for custom colors. Contact factory for physical samples.	
						BA	Banner arm		

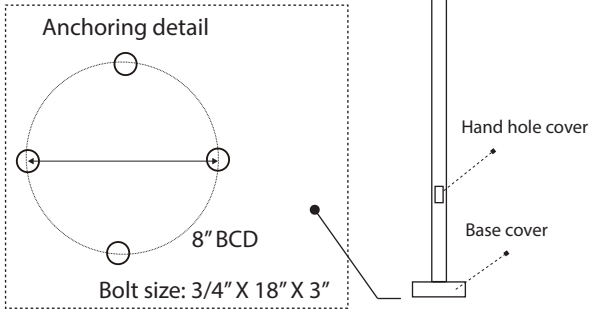
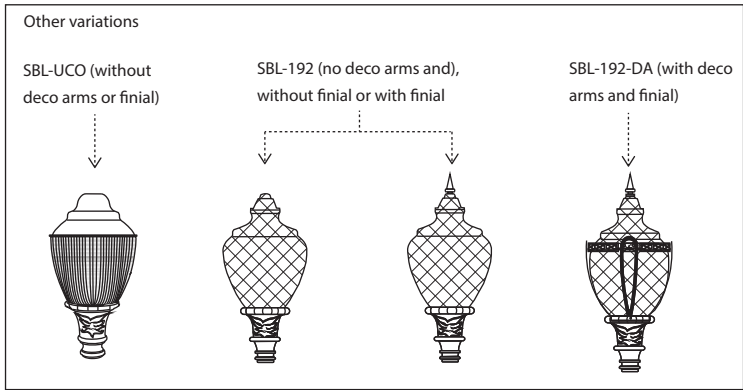
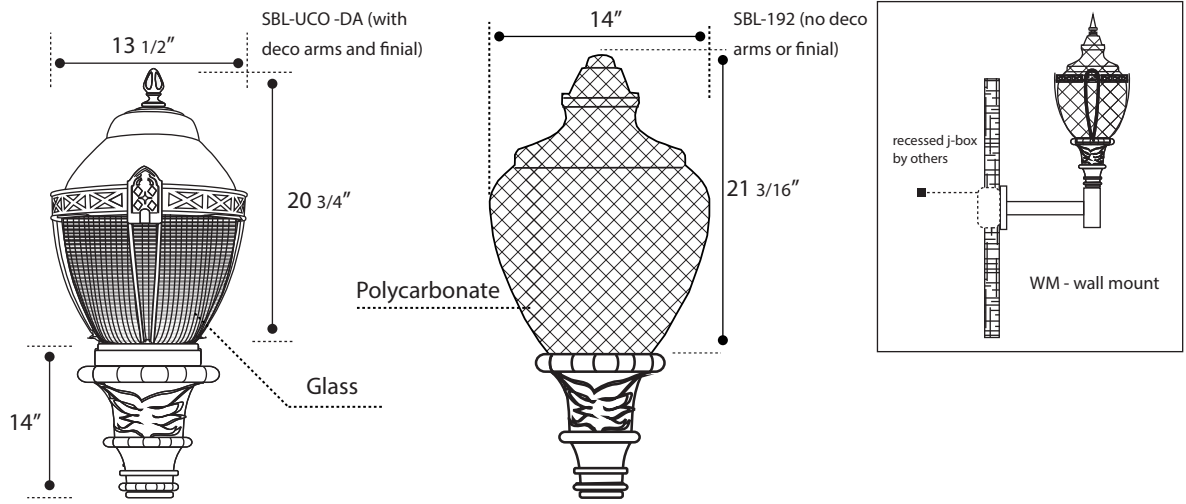
- Lumens are based on max wattage & 5000K CCT
- IES files available upon request
- Std - Standard Offering





**Dimensions & Mounting:**

Please note that drawings are not to scale.



**Listing:**

Complies to CSA and UL standards.

**Polar Graph:**

