



Date
Quote #
Project Name
Type



RWH - Ceiling Recessed

Description:

Spun aluminum lamp housing with a flat door frame, trim and tray. Units are also provided with auxiliary junction box for through wiring.

Name	Engine	Lumens	CCT	Electrical	Mounting	Lens	Pattern	Options	Finish
<input type="text"/>	- <input type="text"/>	- <input type="text"/>	- <input type="text"/>	- <input type="text"/>	- <input type="text"/>	- <input type="text"/>	- <input type="text"/>	- <input type="text"/>	- <input type="text"/>

Name	Light Engine	Source Lumens _{(LED)(5000K)}	Color Temp	Electrical
RWH	60 LED (Max)	6247	2700K	UNV 120-277V
			3000K	HLV 347-480V
			3500K	
			4000K	
			5000K	

Contact for custom

Contact for custom

Contact for custom

Mounting	Lens	Light Pattern	Options	Finishes
RT	CG	D	TP	BL
RP	PG		TS	Black
				White
RP	PG		SF	SG
				Silver Grey
			EM	BZ
				Bronze
				Emergency battery

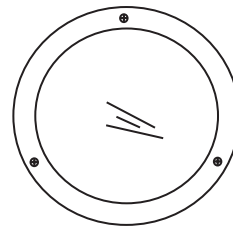
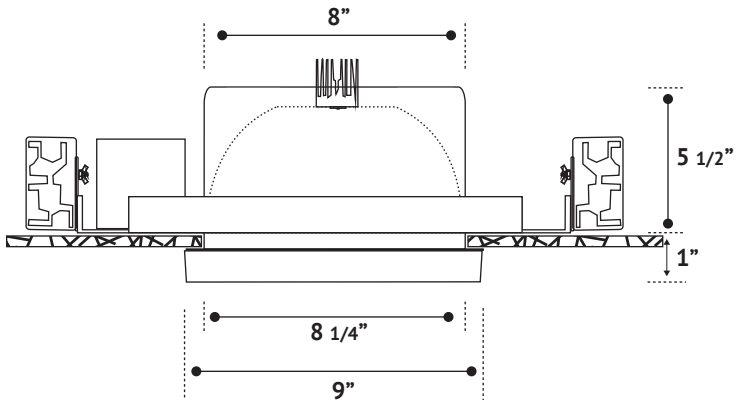
- Lumens are based on max wattage & 5000K CCT
- IES files available upon request
- Std - Standard Offering





Dimensions & Mounting:

Please note that drawings are not to scale.



Bottom View

Listing:

Complies to CSA and UL standards.

Polar Graph:

