

Date:

Type:

Project:



RUS PENDANT

Luminaire features an extruded aluminum conical shade with simple modern design. Gives downward illumination. See the Pole Mount version under Exterior Luminaires. Designed for indoor & outdoor applications.

Name	Dimensions (in inches)	Lamping	Lumens*	Color Temperature	Electrical	Mounting Options
RUS	24" x 17"	144W LED	20,800	5000K 4000K 3500K 3000K	UNV 120-277V HLV 347-480V	P 24" sturdy pendant stem AC Aircraft cable, 48" standard length PM Pole mounted, see under Exterior Luminaire

Contact Factory for other mounting options

Lens	Light Pattern	Options	Finishes
CPL Flat clear lens (Std)	D Down light only	DM 0-10V dimming	BL Black
OPL Flat opal lens		DM1 1% dimming	BZ Bronze
SAG Sag lens		SV Swivel canopy	WH White
		EM Emergency driver	SG Silver Grey
		RB Remote driver	BA4 Brushed Aluminum #4
			CC Custom Color

Contact factory for varying finishes.
[See finishes info on website](#)

*Lumens are based on Max Wattage and 5000K CCT

*Specific IES Files available upon request

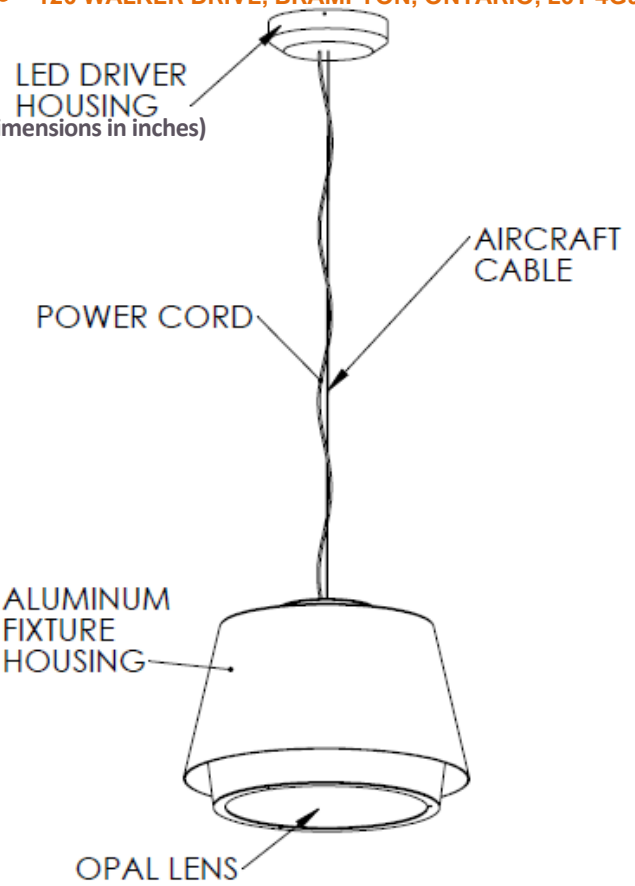
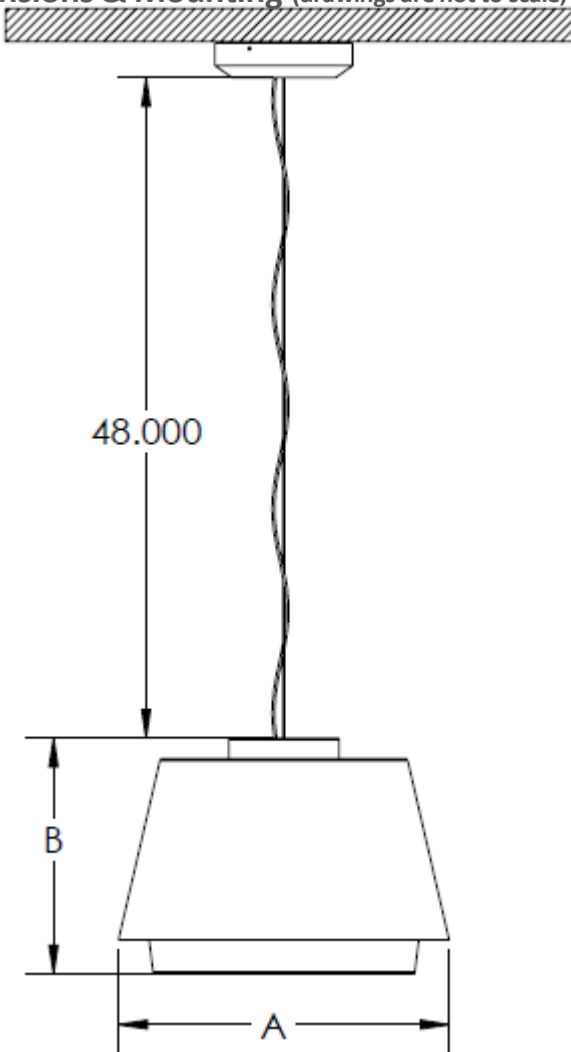
Std – Standard Offering

RUS- _____

Customization Notes:

→ Info on this spec sheet will change without notice as product development is an ongoing process.

Dimensions & Mounting (drawings are not to scale; all dimensions in inches)



PRODUCT	DIM "A"	DIM "B"
RUS	24.00	17.00

