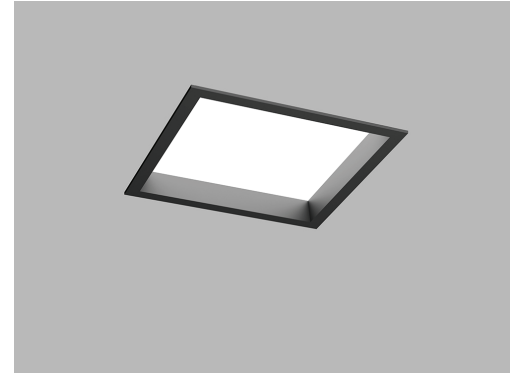




Date
Quote #
Project Name
Type



## RSQ-10 - Ceiling Recessed

### Description:

Fabricated aluminum housing with a drop prismatic glass lens. Galvanized steel mounting pan and junction box with snap on covers suitable for through wiring.

Name	Engine	Lumens	CCT	Electrical	Mounting	Lens	Pattern	Options	Finish
<input type="text"/>	<input type="text"/>	<input type="text"/>	<input type="text"/>	<input type="text"/>	<input type="text"/>	<input type="text"/>	<input type="text"/>	<input type="text"/>	<input type="text"/>

Name	Light Engine	Source Lumens <sub>(LED)(5000K)</sub>	Color Temp	Electrical
RSQ-10	60 LED (Max)	8166	2700K	UNV 120-277V
			3000K	HLV 347-480V
			3500K	
			4000K	
			5000K	

Contact for custom

Contact for custom

Contact for custom

Mounting	Lens	Light Pattern	Options	Finishes
RT	PR	D	TP	Standard
R	PG		TS	BL Black
			SF	WH White
			AEL	SG Silver Grey
			EM	BZ Bronze
				Custom
				CC Custom Color
				See website for custom colors. Contact factory for physical samples.

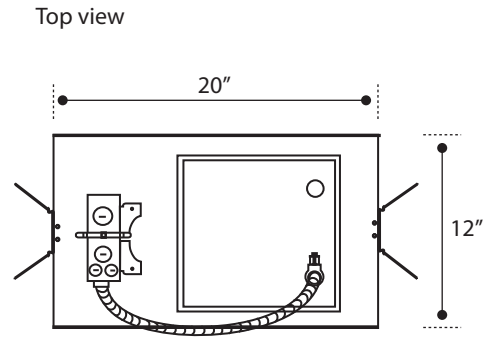
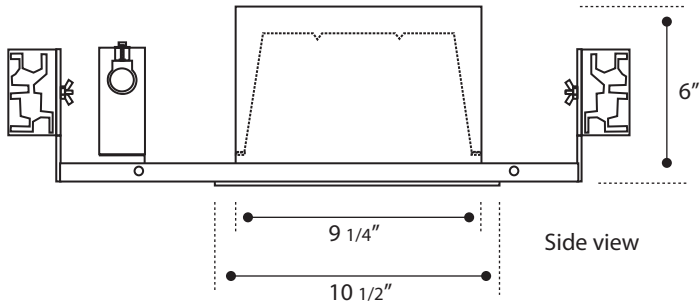
- Lumens are based on max wattage & 5000K CCT
- IES files available upon request
- Std - Standard Offering



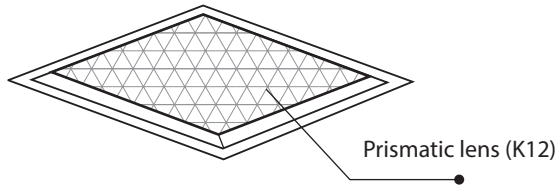


**Dimensions & Mounting:**

Please note that drawings are not to scale.



ISO View



**Listing:**

Complies to CSA and UL standards.

**Polar Graph:**

