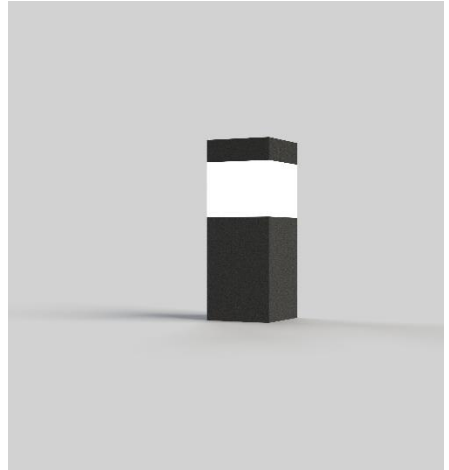


**Date:** \_\_\_\_\_

**Type:** \_\_\_\_\_

**Project:** \_\_\_\_\_



**QUAD-O-B BOLLARD**

5" square bollard with flat top and opal lens giving a slim, clean, sleek look. Corners are sharp & emits ample symmetrical light pattern for walkways, pathways, outdoor corridors. Standard is aluminum extrusion with option for stainless steel construction. Also available as unlit bollard. Lens color & finishes are customizable.

Name	Size	Lamping	Lumens*	Color Temp	Electrical	Mounting
QUAD-O-B	36 36" (Std)	24W LED	4224	3000K	UNV 120-277V	ABT Anchors, Bolts & Template
	SH Short, 13"	10W LED	1760	3500K 4000K 5000K	HLV 347-480V	
Contact for other heights		Contact for other wattages	Specify other			

Lens	Light Pattern	Options	Finishes
OPL Opal lens	TY5 Type V distribution	TP Tamperproof hardware & screws	BL Black
		RGBW Programmable color changing LED	BZ Bronze
		DM 0-10V Dimming	WH White
		PC Button Photocell	SG Silver Grey
		SF Single Fuse	
		GFR Ground Fault Receptacle	BA4 Brushed Aluminum #4
		UN Unlit version	CC Custom Color
		SS Stainless steel construction	

Contact for other lens colors [See finishes info on website](#)

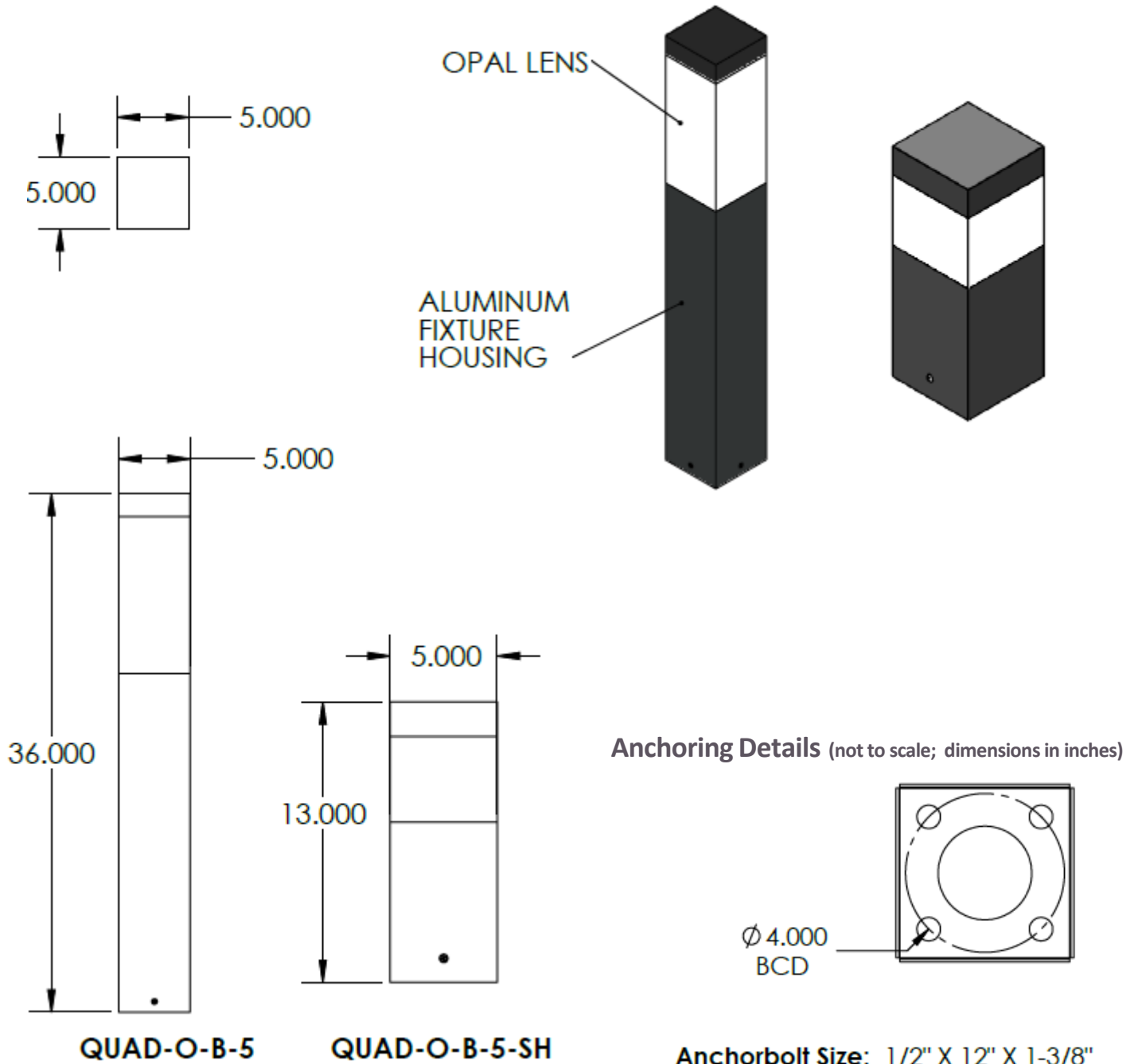
\*Lumens are based on Wattage, Type V Distribution, and 5000K CCT  
Std – Standard Offering

QUAD-O-B- \_\_\_\_\_ - \_\_\_\_\_ - \_\_\_\_\_ - \_\_\_\_\_ - \_\_\_\_\_ - \_\_\_\_\_ - \_\_\_\_\_ - \_\_\_\_\_

**Customization Notes:**

→ Info on this spec sheet will change without notice as product development is an ongoing process.

**Dimensions** (drawings are not to scale; all dimensions in inches)



- Anchorbolt Size:** 1/2" X 12" X 1-3/8"
- Hot dipped Galvanized anchor bolts
  - Galvanized steel hex nuts
  - Galvanized steel lock washers
  - Galvanized steel flat washers