



Date
Quote #
Project Name
Type



QUAD-O - Light Column

Description:

Heavy duty extruded aluminum housing construction with an opal acrylic lens. Choose between a 6X6 or 8X8 square, and standard heights are 10 or 16 feet. Custom sizes available: contact factory.

Name - Engine - Lumens - CCT - Electrical - Mounting - Lens - Pattern - Options - Finish

Name	Light Engine	Source Lumens(LED)	Color Temp	Electrical
QUAD-O-6-10	36 LED (Max)	6336	3000K	UNV 120-277V
QUAD-O-6-16	60 LED (Max)	10560	3500K	HLV 347-480V
QUAD-O-8-10	48 LED (Max)	8448	4000K	
QUAD-O-8-16	72 LED (Max)	12672	5000K	
Contact for custom	Contact for custom	Contact for custom	Contact for custom	

Mounting		Lens		Light Pattern		Options		Finishes	
ABT	Anchor, bolts and template	OAL	Opal acrylic lens	TY5	Type V (Std)	SD	Step dimming	Standard	
						MS	Motion sensor	BL	Black
						EM	Emergency battery	WH	White
						TP	Tamperproof hardware	SG	Silver Grey
						TS	Tamperproof screws	BZ	Bronze
						PC	Button photocell	Custom	
						GFR	Ground fault receptacle	CC	Custom Color
						COM	Intercom	See website for custom colors. Contact factory for physical samples.	
						SF	Single fuse		
						BC	Base cover		
						TCO	Trespass cut off		

- Lumens are based on max wattage & 5000K CCT
- IES files available upon request
- Std - Standard Offering

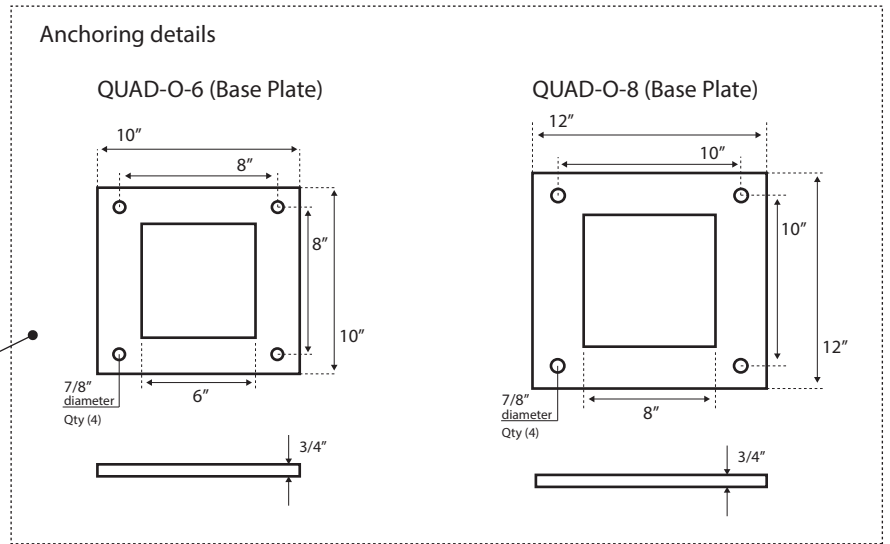
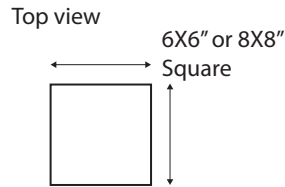
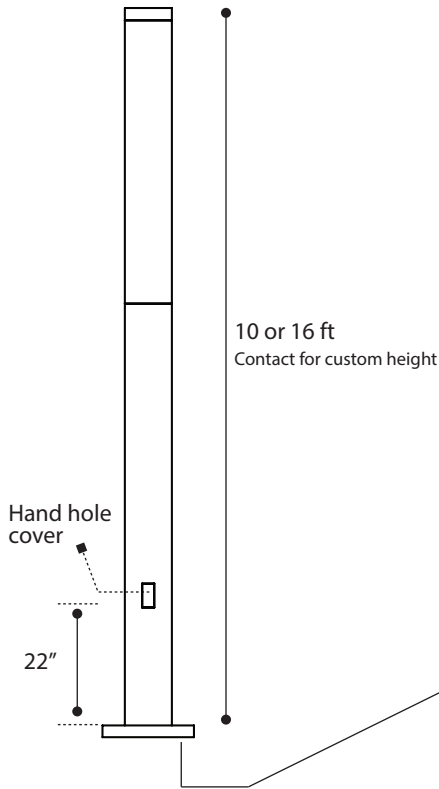




Dimensions & Mounting:

Please note that drawings are not to scale.

Side view



Listing:

Complies to CSA and UL standards.

Polar Graph:

