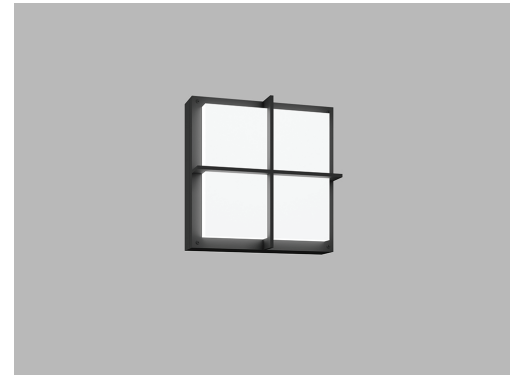




| |
|--------------|
| Date |
| Quote # |
| Project Name |
| Type |



QMRT- Wall Mount

Description:

Die cast aluminum housing with cross bar design. All external hardware is stainless-steel.

Name - Engine - Lumens - CCT - Electrical - Mounting - Lens - Pattern - Options - Finish

| Name | Light Engine | Source Lumens _{(LED)(5000K)} | Color Temp | Electrical |
|------|---------------|---------------------------------------|------------|--------------|
| QMRT | 42W LED (Max) | 5460 | 3000K | UNV 120-277V |
| | | | 3500K | HLV 347-480V |
| | | | 4000K | |
| | | | 5000K | |

| Mounting | | Lens | | Light Pattern | | Options | | Finishes | |
|----------|------------|------|-------------------------------|---------------|-------------|---------|----------------------|----------|--|
| WM | Wall mount | OPL | Opal polycarbonate lens (Std) | F | Front light | PC | Button photocell | Standard | |
| | | | | | | SF | Single fuse | BL | Black |
| | | | | | | TP | Tamperproof hardware | WH | White |
| | | | | | | TS | Tamperproof screws | SG | Silver Grey |
| | | | | | | WL | Wet location | BZ | Bronze |
| | | | | | | DM | 0-10V dimming | Custom | |
| | | | | | | | | CC | Custom Color |
| | | | | | | | | | See website for custom colors. Contact factory for physical samples. |

- Lumens are based on max wattage & 5000K CCT
- IES files available upon request
- Std - Standard Offering

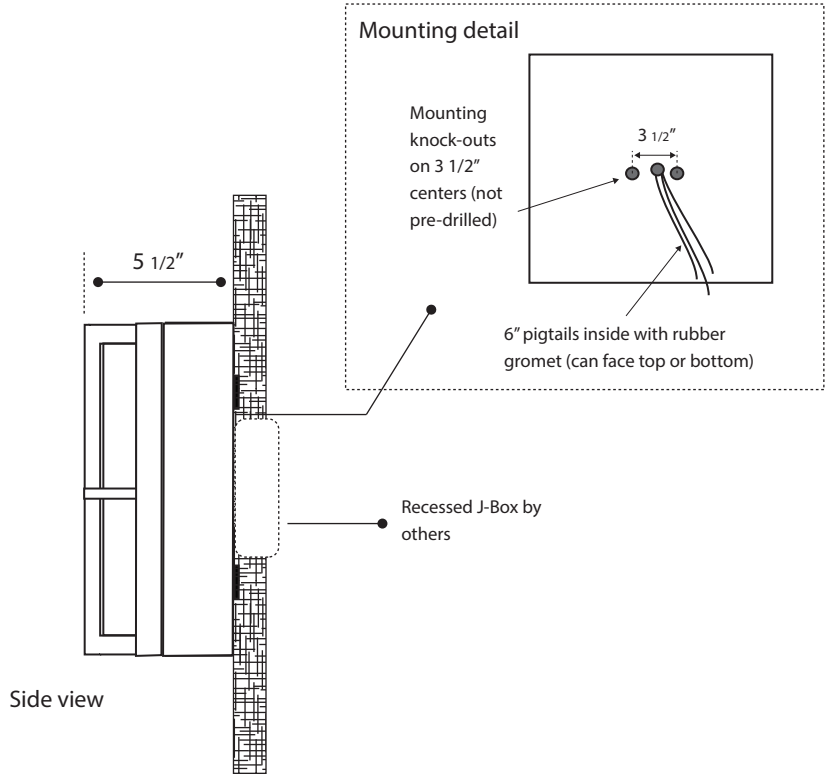
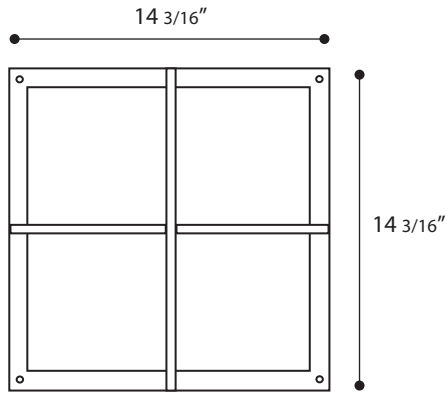




Dimensions & Mounting:

Please note that drawings are not to scale.

Front view



Listing:

Complies to CSA and UL standards.

Polar Graph:

