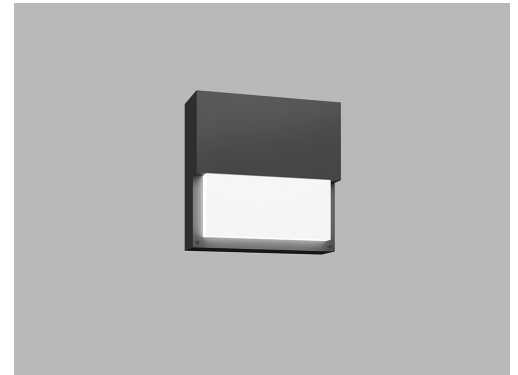




Date
Quote #
Project Name
Type



QMRC- Wall Mount

Description:

Die cast aluminum housing with a cutoff lens. All external hardware is stainless-steel.

Name - Engine - Lumens - CCT - Electrical - Mounting - Lens - Pattern - Options - Finish

Name	Light Engine	Source Lumens _{(LED)(5000K)}	Color Temp	Electrical
QMRC	42W LED (Max)	5460	3000K	UNV 120-277V
			3500K	HLV 347-480V
			4000K	
			5000K	

Contact for custom

Contact for custom

Contact for custom

Mounting	Lens	Light Pattern	Options	Finishes
WM Wall mount	OPL Opal polycarbonate lens (Std)	F Front light	PC Button photocell	Standard
			SF Single fuse	BL Black
			TP Tamperproof hardware	WH White
			TS Tamperproof screws	SG Silver Grey
			WL Wet location	BZ Bronze
				Custom
				CC Custom Color
				See website for custom colors. Contact factory for physical samples.

- Lumens are based on max wattage & 5000K CCT
- IES files available upon request
- Std - Standard Offering

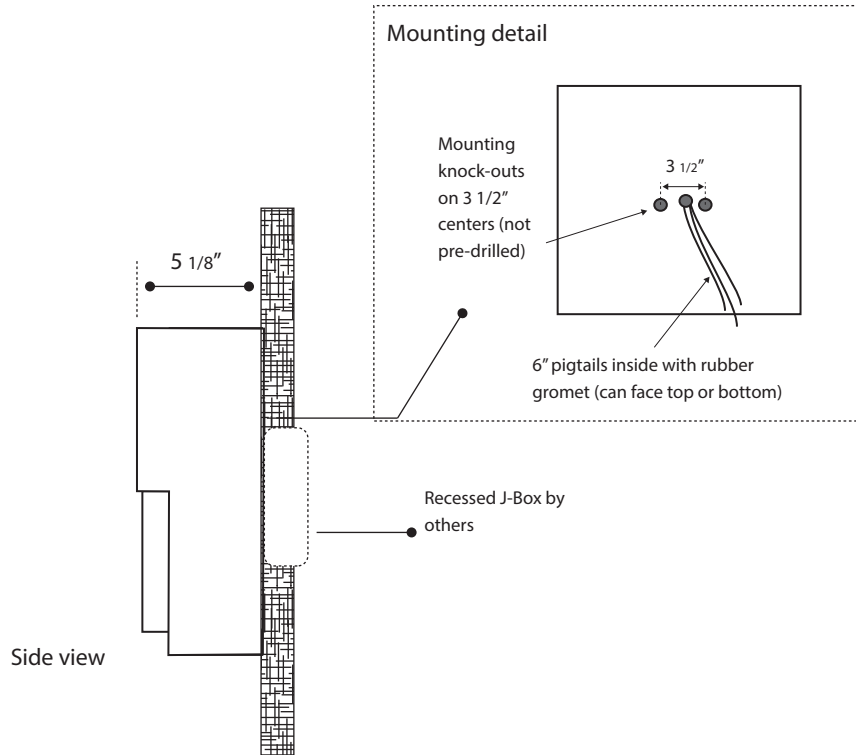
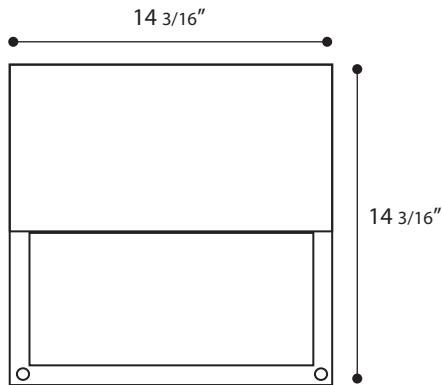




Dimensions & Mounting:

Please note that drawings are not to scale.

Front view



Listing:

Complies to CSA and UL standards.

Polar Graph:

