

Date:

Type:

Project:

PEAK LIGHT COLUMN

A cylindrical light column made from heavy duty aluminum extrusion. Available in two sizes with light emitting downwards from the top.



Name	Width	Height	Lamping & Lumens*	Color Temp	Electrical	Mounting
PEAK	6 6" OD	12 12ft (max)	40W 4500	3000K 3500K	UNV 120-277V	ABT Anchors, Bolts & Template
	8 8" OD	16 16ft (max)	60W 6200	4000K 5000K	HLV 347-480V	
Contact for other lengths & sizes			Contact for other wattages & lumens	Specify other		

Lens	Light Pattern	Options	Finishes
CPL Clear polycarbonate Lens (Std)	TY5 Type V (Std)	TP/TS Tamperproof Hardware & Screws	BL Black
	TY3 Type III	GFR Ground Fault Receptacle	BZ Bronze
	TY2 Type II	DM 0-10V Dimming	WH White
		PC Button Photocell, voltage specific	SG Silver Grey
		SF Single Fuse	
		GFR Ground Fault Receptacle	CC Custom Color
Contact for other options			See finishes info on website

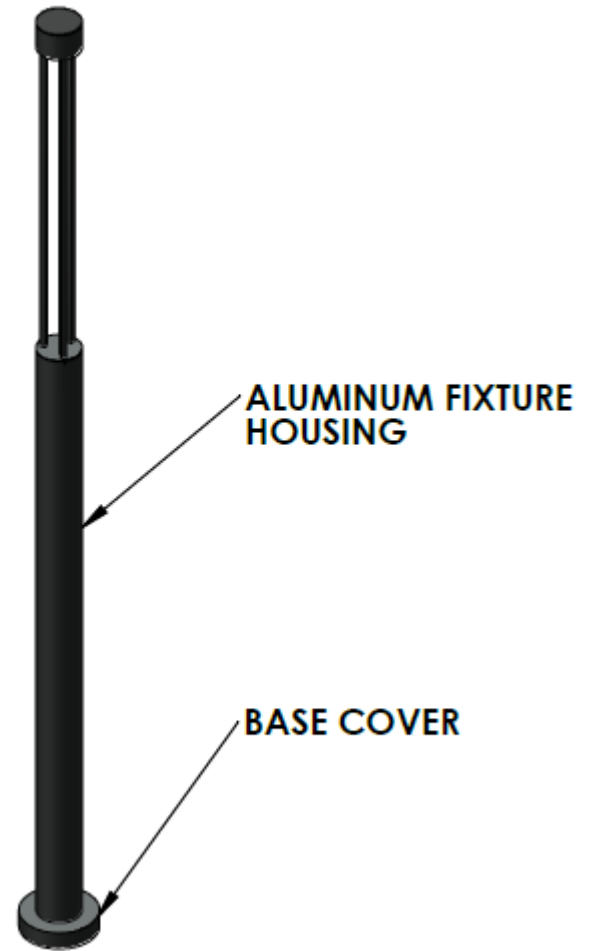
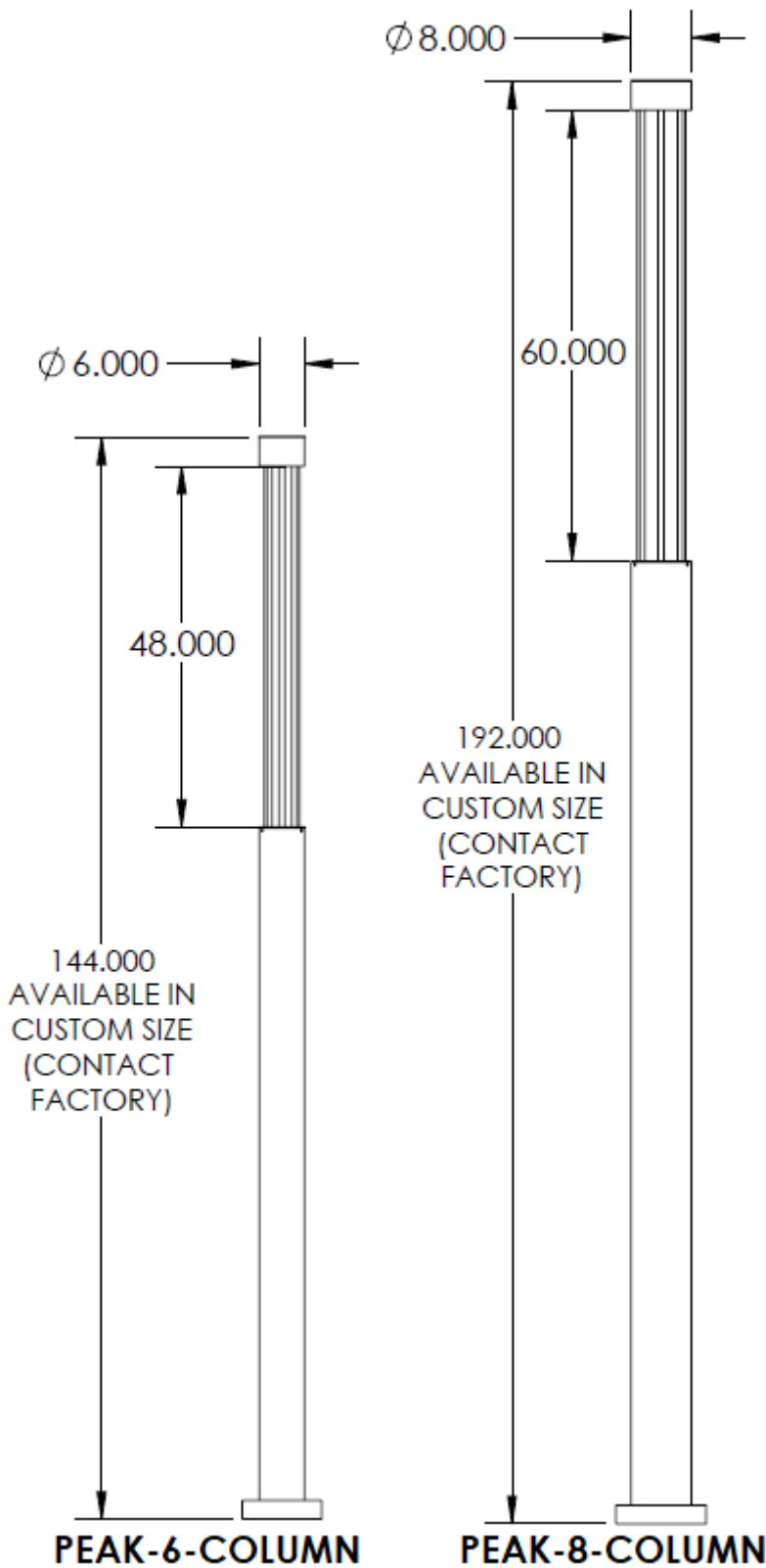
*Lumens are based on Wattage, Type V distribution, and 5000K CCT
 *Specific IES Files available upon request
 Std – Standard Offering

PEAK- _____

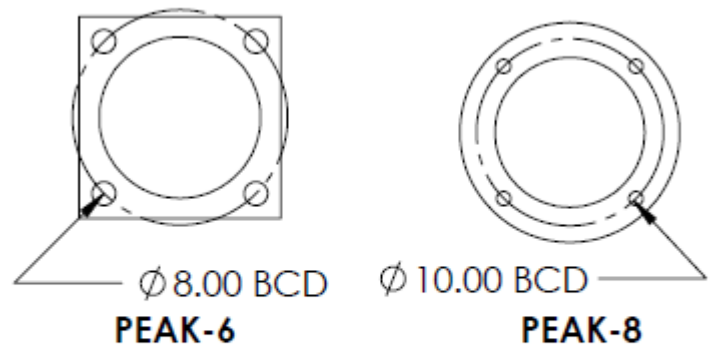
Customization Notes:

▶▶▶ Info on this spec sheet will change without notice as product development is an ongoing process.

Dimensions & Mounting (drawings are not to scale)



Anchoring Details:



Anchorbolt Size: 3/4" X 18" X 3-3/4"

- Hot dipped Galvanized anchor bolts
- Galvanized steel hex nuts
- Galvanized steel flat washers