

Date:

Type:

Project:



OSLO-8 BOLLARD

Round bollard made from 6061-T6 aluminum extrusion. Totally dark sky compliant with no up-light. The bollard head comprises of a flat top and an illuminated portion designed with middle cone plus fin partitions separating the light distribution in 4 sectors. Bollard top and shaft can be painted in different color finishes. Cone & fins are always painted black. Standard size is 8" OD and 39" high.

Name	Sector Style	Lamping*	Lumens*	Color Temp	Electrical	Mounting		
OSLO-8	4QD	40W LED (max)	6176	3000K	UNV HLV	120-277V 347-480V	ABT	Anchor, Bolts & Template
	2Q90			3500K				
	2Q180			4000K				
	3Q			5000K				
	1Q			20W LED (max)				

*Specify other

Lens	Light Distribution	Options	Finishes for Top & Shaft			
CPL Clear Polycarbonate Lens	4QD	All 4 sides	DM	0-10V dimming	BL	Black
	2Q90	2 quadrats, same side	SF	Single fuse	WH	White
	2Q180	2 quadrats, opposite sides	TP/TS	Tamperproof hardware & screws	SG	Silver Gray
	3Q	3 quadrats	PC	Button photocell, voltage specific	BZ	Bronze
	1Q	1 quadrat	GFR	Ground fault receptacle	CC	Custom color

[*See finishes info on website](#)

*General lumens are based on Wattage and 5000K CCT

*Specific IES Files available upon request

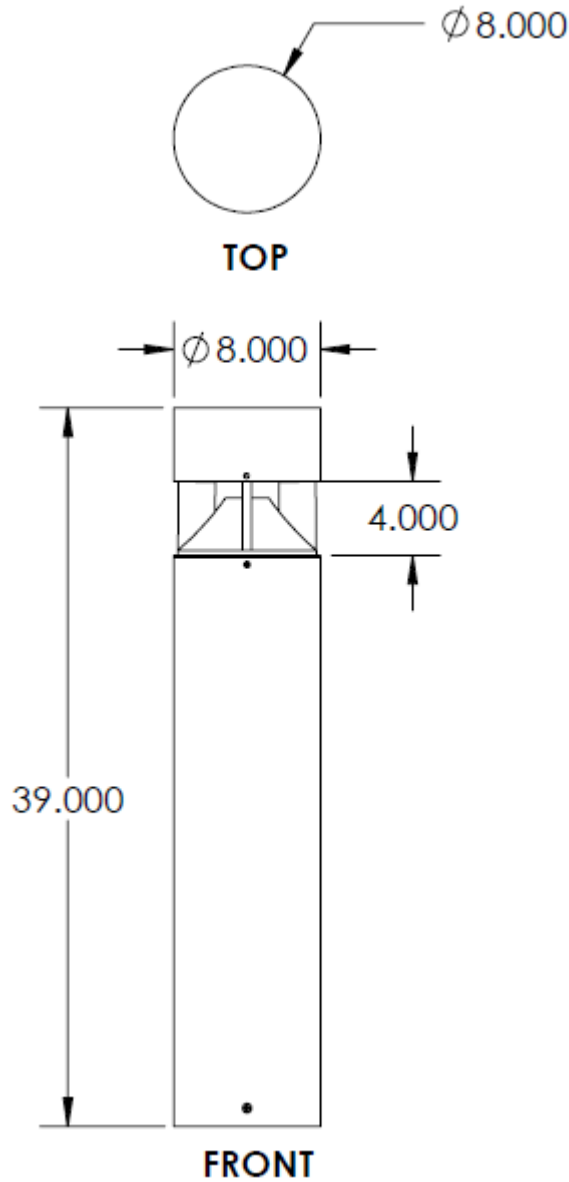
Std – Standard Offering

OSLO-8- _____

Customization Notes:

→ Info on this spec sheet will change without notice as product development is an ongoing process.

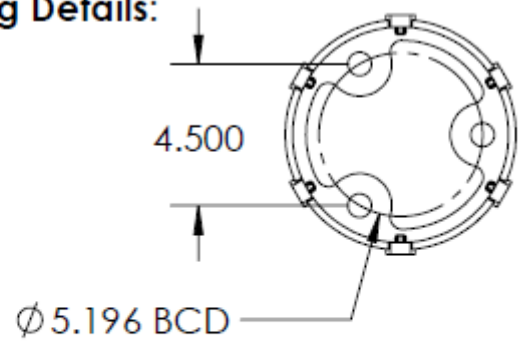
Dimensions & Mounting (measurements in inches; drawings are not to scale)



**ALUMINUM
FIXTURE
HOUSING**



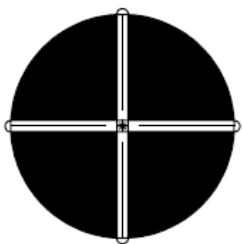
Anchoring Details:



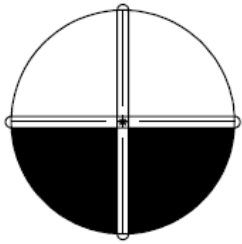
Anchorbolt Size: 1/2" X 12" X 1-3/8"

- Hot dipped Galvanized anchor bolts
- Galvanized steel hex nuts
- Galvanized steel flat washers

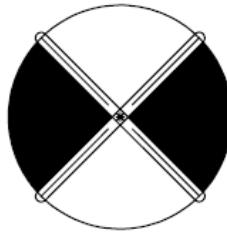
LIGHT DISTRIBUTION:



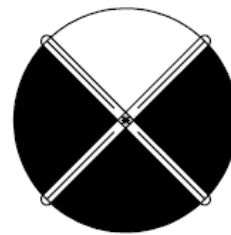
4QD



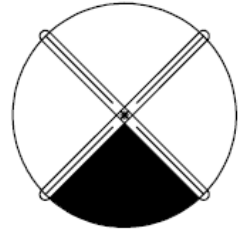
2Q90



2Q180



3Q



1Q