

**Date:**

**Type:**

**Project:**



**ORB - PENDANT**

Luminaire is composed of extruded aluminum housing for the driver and prismatic acrylic reflector with open bottom. Can be suspended with field-adjustable aircraft cables or sturdy stem. Also available in clusters.

Name	Size	Lamping	Source Lumens*	Color Temp	Electrical		Mounting	
ORB	12	50W LED	8800	2700K	UNV	120-277V	AC48	48" Aircraft Cable (Std)
	16	90W LED	15840	3000K	HLV	347-480V	P48	48" Pendant Stem
	22	160W LED	28160	3500K			CL	Available in 180°, 120°, 90° clusters
				4000K				
			5000K					
Contact for other Wattages			*Specify other		Contact Solera for other lengths			

Dome-shaped Reflector		Bottom Lens		Light Pattern		Options		Finishes	
PAR	Prismatic Acrylic (Std)	O	Open Bottom (Std)	D	Down light (Std)	DM	0-10V Dimming	BL	Black
PPR	Prismatic Polycarbonate	CPL	Clear lens			DM1	1% Dimming	WH	White
FAR	Frosted Acrylic	CONL	Conical lens			EM	Emergency Battery	SG	Silver Grey
		FL	Frosted lens			SF	Single Fuse	BZ	Bronze
		FM	Frosted middle lens			RB	Remote Driver		
						SV	Swivel Canopy	CC	Custom color
						DL	Damp location		
						DECO	Decorative bars		
						FIN	Decorative fins		

[See Finishes on Website](#)

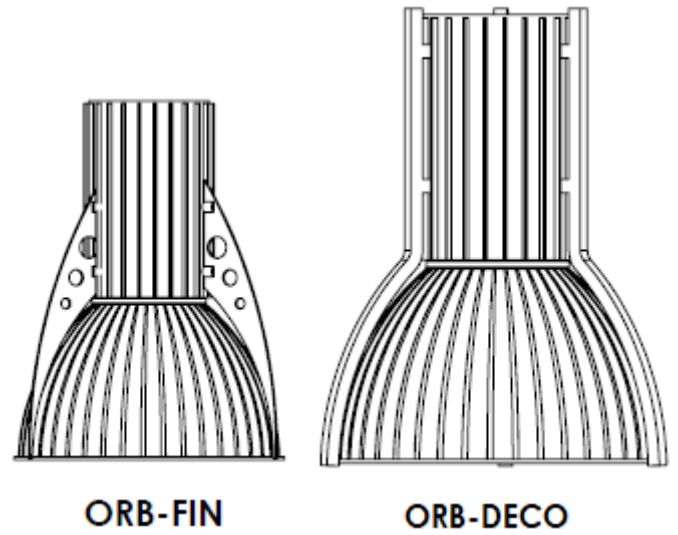
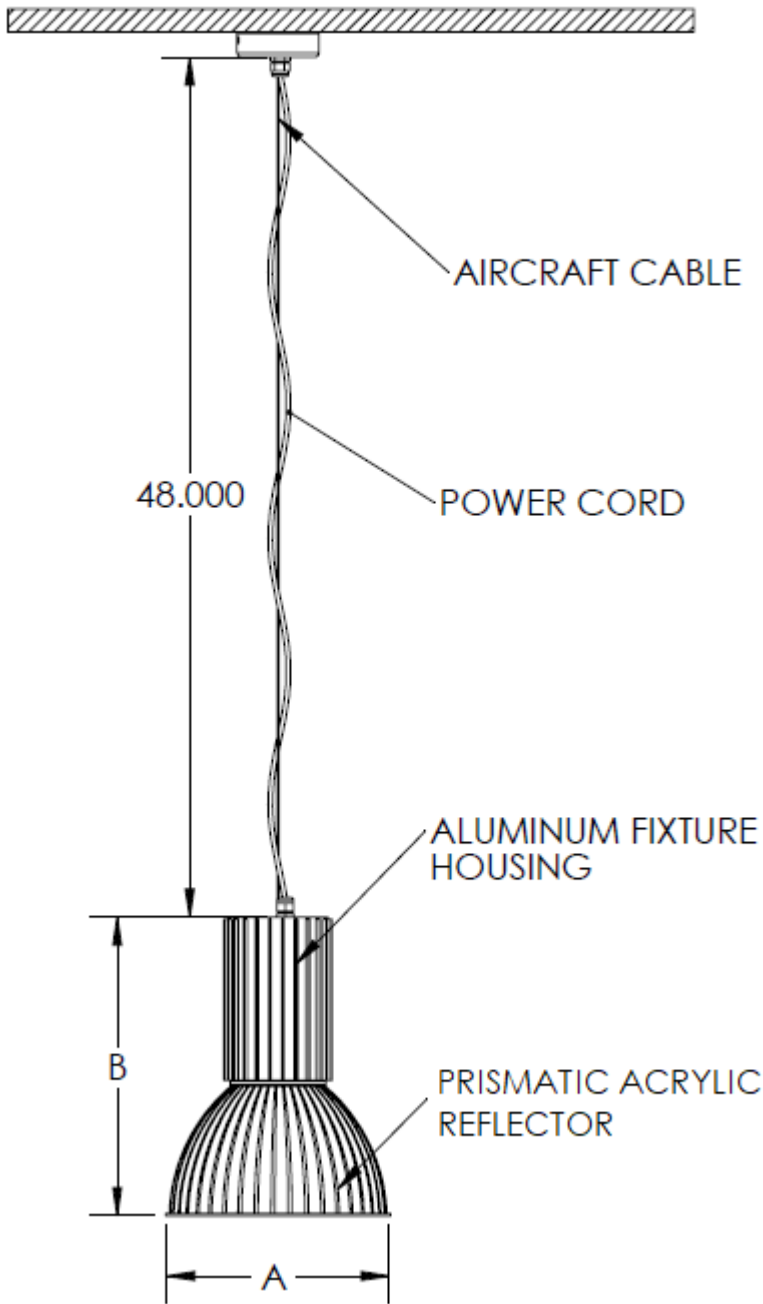
\*Lumens are based on Max Wattage and 5000K CCT  
Std – Standard Offering  
IES files available upon request

ORB - \_\_\_\_\_

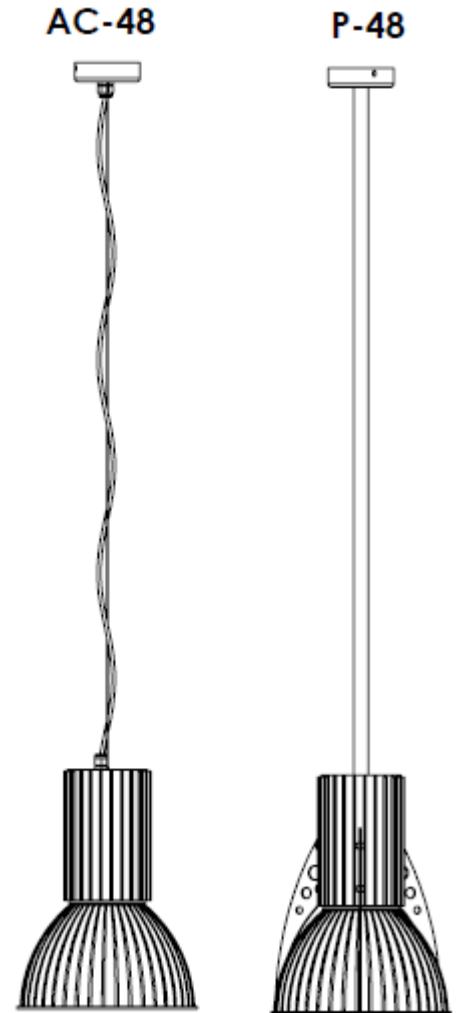
**Customization Notes:**

▶▶▶ Info on this spec sheet will change without notice as product development is an ongoing process.  
Last updated: September 20, 2023

**Dimensions & Mounting** (drawings are not to scale)



**MOUNTING OPTIONS:**



PRODUCT	DIM "A"	DIM "B"
ORB-12	12.00"	16.00"
ORB-16	16.00"	22.00"
ORB-22	22.00"	25.00"