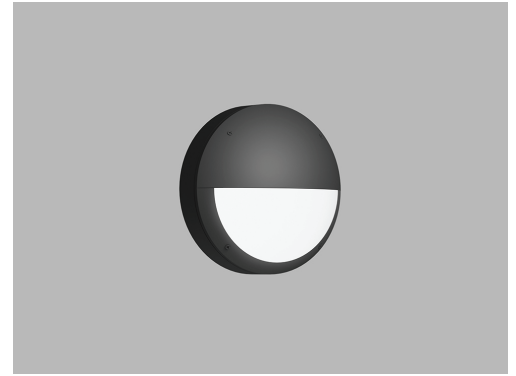




Date
Quote #
Project Name
Type



MRC - Wall Mount

Description:

Die cast aluminum housing with a cut-off design. All external hardware is stainless-steel. Both sizes can be made ADA compliant.

Name - Engine - Lumens - CCT - Electrical - Mounting - Lens - Pattern - Options - Finish

Name	Light Engine	Source Lumens _{(LED)(5000K)}	Color Temp	Electrical
MRC-M	M 30 LED (Max)	3900	3000K	UNV 120-277V
MRC-L	L 48 LED (Max)	6240	3500K 4000K 5000K	HLV 347-480V

Mounting		Lens		Light Pattern		Options		Finishes	
WM	Wall mount	OPL	Opal polycarbonate lens (Std)	F	Front light	PC	Button photocell	Standard	
		PG	Prismatic glass lens			SF	Single fuse	BL	Black
		FG	Frosted glass lens			TP	Tamperproof hardware	WH	White
						TS	Tamperproof screws	SG	Silver Grey
						WL	Wet location	BZ	Bronze
						ADA	ADA compliant (4" projection)	Custom	
								CC	Custom Color
									See website for custom colors. Contact factory for physical samples.

- Lumens are based on max wattage & 5000K CCT
- IES files available upon request
- Std - Standard Offering

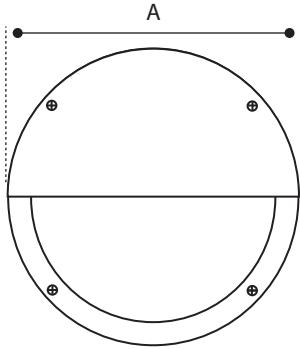




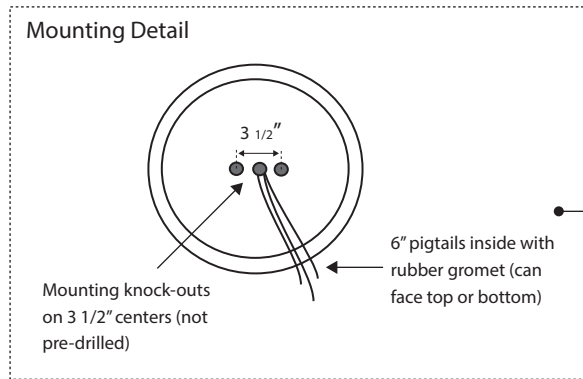
Dimensions & Mounting:

Please note that drawings are not to scale.

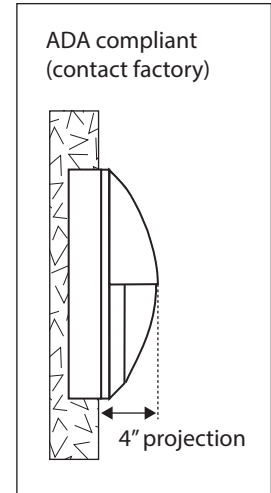
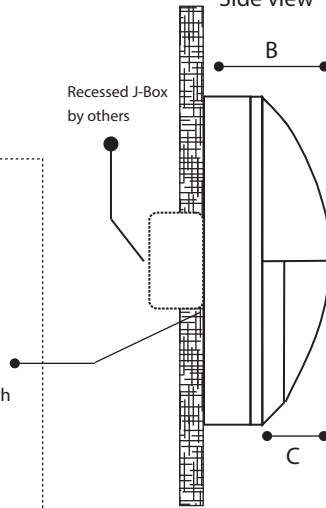
Front view



	A	B	C
MRC-M	10 1/2"	4"	4"
MRC-L	14"	5"	4"



Side view



Listing:

Complies to CSA and UL standards.

Polar Graph:

