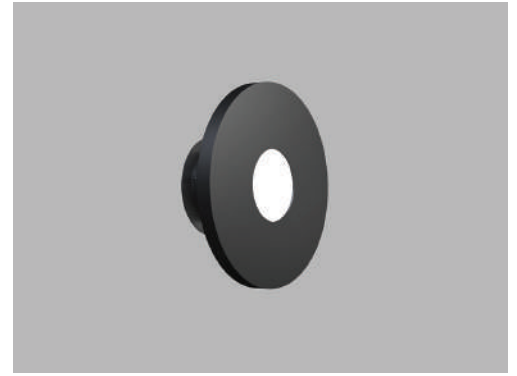




Date
Quote #
Project Name
Type



MOON - Wall Mount

Description:

Circular wall mount luminaire where outer housing is constructed of extruded aluminum. Opal acrylic lens on front face is standard. All external hardware is stainless steel.

Name - Engine - Lumens - CCT - Electrical - Mounting - Lens - Pattern - Options - Finish

Name	Light Engine	Source Lumens _{(LED)(5000K)}	Color Temp	Electrical
MOON	24W LED (Max)	3484	2700K	UNV 120-277V
			3000K	HLV 347-480V
			3500K	
			4000K	
			5000K	
	Contact for custom	Contact for custom	Contact for custom	

Mounting	Lens	Light Pattern	Options	Finishes
WM Wall mount	OAL Opal acrylic lens (Std)	F Front light	TP Tamperproof hardware	Standard
			TS Tamperproof screws	BL Black
			WL Wet location	WH White
				SG Silver Grey
				BZ Bronze
				Custom
				CC Custom Color
				See website for custom colors. Contact factory for physical samples.

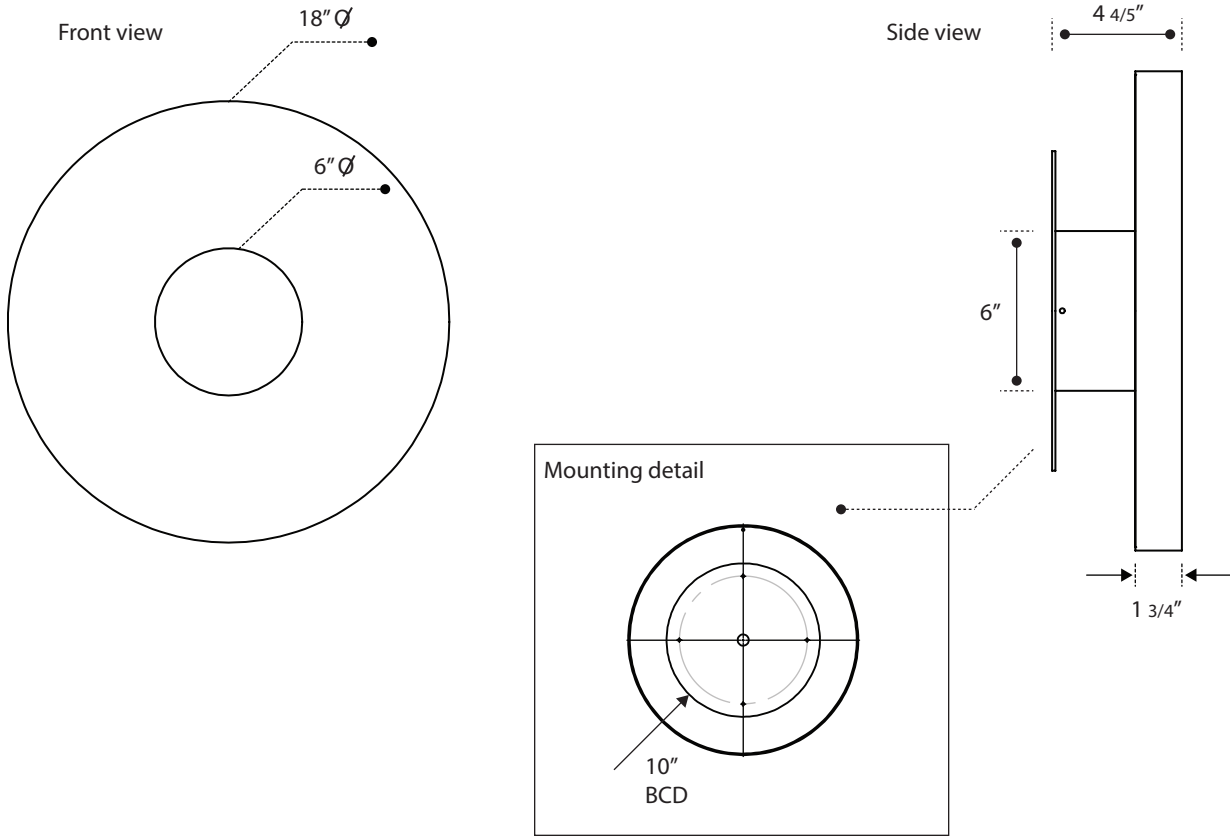
- Lumens are based on max wattage & 5000K CCT
- IES files available upon request
- Std - Standard Offering





Dimensions & Mounting:

Please note that drawings are not to scale.



Listing:

Complies to CSA and UL standards.

Polar Graph:

