



Date
Quote #
Project Name
Type



MAG - Pendant

Description:

Rectilinear luminaire with a drop down acrylic lens (1 1/2" thick). Can be suspended with aircraft cables or recessed in dry ceiling.

Name	Engine	Lumens	CCT	Electrical	Mounting	Lens	Pattern	Options	Finish
<input type="text"/>	<input type="text"/>	<input type="text"/>	<input type="text"/>	<input type="text"/>	<input type="text"/>	<input type="text"/>	<input type="text"/>	<input type="text"/>	<input type="text"/>

Name	Light Engine	Source Lumens _{(LED)(5000K)}	Color Temp	Electrical
MAG-24	24 18 LED (Max)	3168	2700K	UNV 120-277V
MAG-36	36 24 LED (Max)	4224	3000K	HLV 347-480V
MAG-48	48 44 LED (Max)	7040	3500K	
MAG-60	60 56 LED (Max)	9152	4000K	
MAG-72	72 68 LED (Max)	11264	5000K	
MAG-96	96 80 LED (Max)	14080		

Contact for custom

Contact for custom

Contact for custom

Mounting	Lens	Light Pattern	Options	Finishes
2AC48 2X48" aircraft cables	OAL Opal acrylic lens	D Down light	DM 0-10V dimming	Standard
R Recessed in dry ceiling	CAL Clear acrylic lens		DM1 1% dimming	BL Black
	FAL Frosted acrylic lens		EM Emergency battery	WH White
			SF Single fuse	SG Silver Grey
			RB Remote ballast/driver	BZ Bronze
				Custom
				CC Custom Color

See website for custom colors. Contact factory for physical samples.

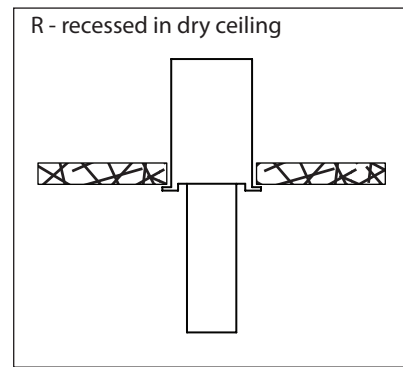
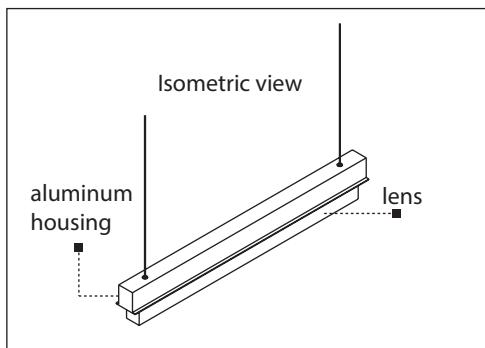
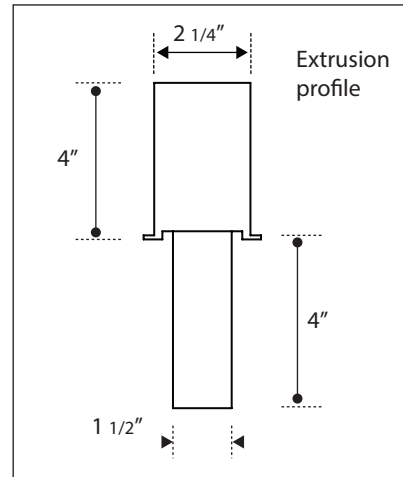
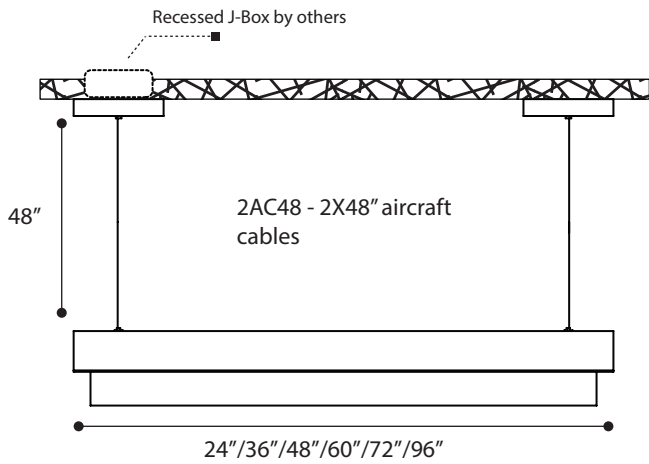
- Lumens are based on max wattage & 5000K CCT
- IES files available upon request
- Std - Standard Offering





Dimensions & Mounting:

Please note that drawings are not to scale.



Listing:

Complies to CSA and UL standards.

Polar Graph:

